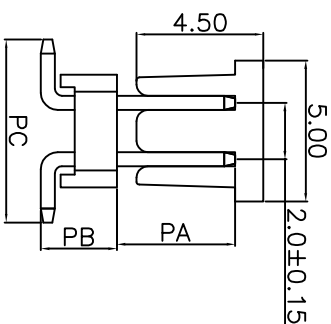
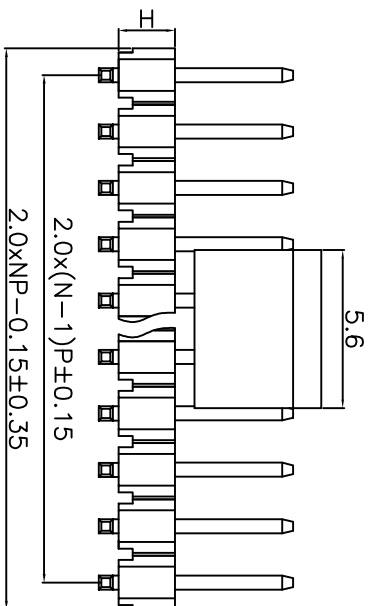
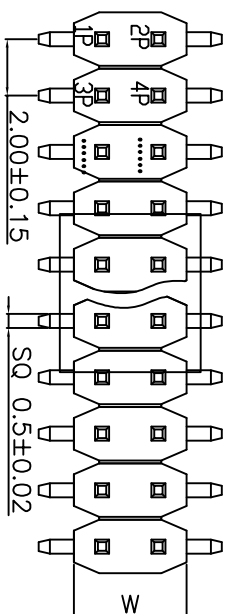


HSE ROHS

REV	ECN NO	DESCRIPTION	DATE	NAME
A		NEW		

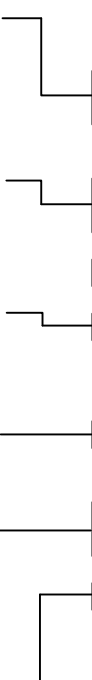


Specifications

- 1.Current Rating:2.0Amps
- 2.Insulation Resistance:1000 MΩ min.
- 3.Dielectric withstanding Voltage: 500V AC/DC
- 4.Contact Resistance:20 mΩ max.
- 5.Operating Temperature:-40℃ to+105℃
- 6.Contact Material: Brass
- 7.Insulation Material:Asfollows,UL94V-0,Black
- 8.Plated: Au Over Ni

Ordering Information

L206 XX-XX 2 X XX X

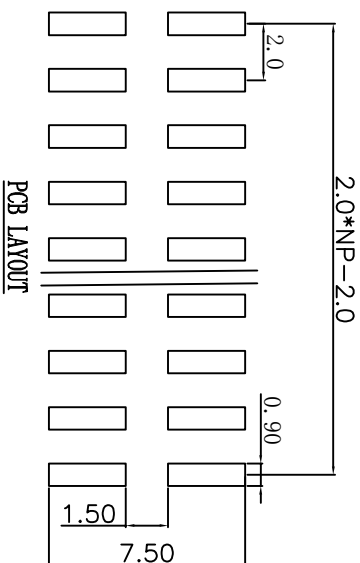


Insulation Height*Width (H*W)
 1-50P
 Option:
 10=1.0*2.0
 15=1.5*2.3
 25=2.54*5.0

Insulation	NO. of Pins	Insulation Material	Contact Plating	Serial NO.	Packing
1=BT	1=PPS	1=Au1" Gold	0=0.8" Gold	01-69	A=PE Bag
2=PPS	2=PPS	2=Au1.5" Gold	1=Au1" Gold		B=Tube
3=NV6T	3=NV6T	3=Au2" Gold	2=Au1.5" Gold		C=Tray
4=LCP	4=LCP	4=Au3" Gold	3=Au2" Gold		D=Reel
5=NV66	5=NV66	5=Au5" Gold	4=Au3" Gold		
6=Customized	6=Customized	6=Customized	5=Au5" Gold		
7=NV46	7=NV46	7=Gold/Tin	6=Customized		
8=NV9T	8=NV9T	8=Tin	7=Gold/Tin		

Dimension antitheses list

ITEM	PC	PB	PA	H	Pin Length
Standard	6.50	2.70	4.20	2.00	12.0
Alternate					



STANDARD TOLERANCE (EXCEPT SPECIFIED)	LINER	ANGLES
.0	±0.30	0.° ±3°
.00	±0.20	.0° ±2°
.000	±0.10	.00° ±1°

LD CONN 东莞连大精密制品有限公司		Dongguan Lianda Precision Products Co., LTD	
TITLE	PH2.00mm Pin Header Dual Row SMT	DRAWN BY	YTT
PART NO	L20620-XX2XXXX	CHECKED BY	
DRAWING NO		APPROVED BY	
SCALE	1:1	UNITE	mm
		PAGE	1/1
		SIZE	A4