

HSE ROHS

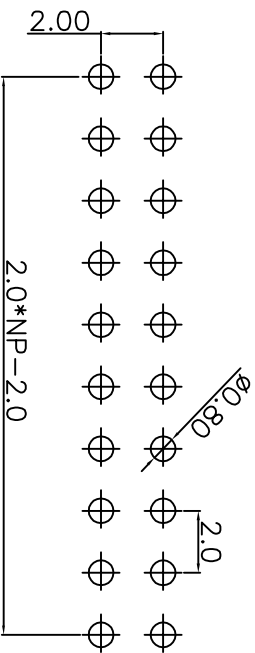
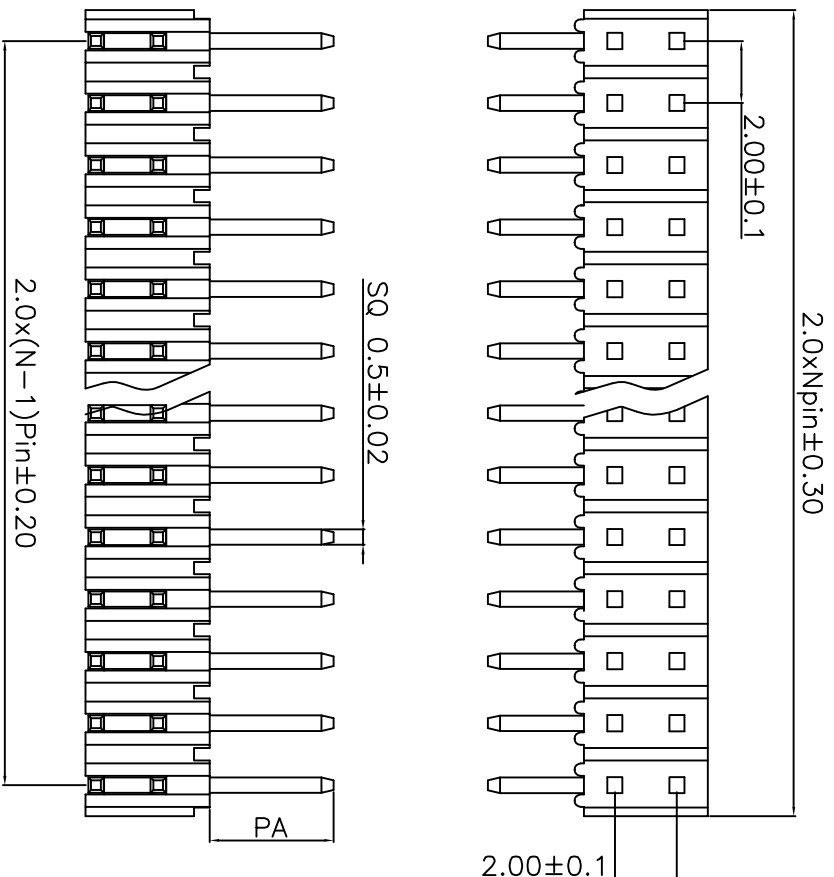
REV	ECN NO	DESCRIPTION	DATE	NAME
A		NEW		

- Specifications
1. Current Rating: 2.0Amps
 2. Insulation Resistance: 1000 MΩ min.
 3. Dielectric withstanding Voltage: 500V AC/DC
 4. Contact Resistance: 20 mΩ max.
 5. Operating Temperature: -40°C to +105°C
 6. Contact Material: Brass
 7. Insulation Material: As follows, UL94V-0, Black
 8. Plated: Au Over Ni

Ordering Information

L206 XX-XX I X XX X

Insulation Height*Wide (H*W)	NO. of Pins Per Row:	Insulation Material	Contact ^① Plating ^②	①	②	③	④	⑤	⑥	⑦	⑧	Packing
Option:		Option:										
10=1.0*2.0		1=PBT	0=0.8" Gold									A=PE Bag
15=1.5*2.3		2=PPS	1=Au1" Gold									B=Tube
40=4.0*4.3		3=NW6T	2=Au1.5" Gold									C=Tray
		4=LCP	3=Au2" Gold									D=Reel
		5=NY66	4=Au3" Gold									
		6=Customized	5=Au5" Gold									
		7=NY46	6=Customized									
		8=NY9T	7=Gold/Tin									
			8=Tin									



Dimension antitheses list

ITEM	PC	PA	H	Pin Length
Standard	2.80	4.00	4.00	10.6/14.6
Alternate				

STANDARD TOLERANCE (EXCEPT SPECIFIED)	LINER	ANGLES
.0 ±0.30	0.°	±3°
.00 ±0.20	.0°	±2°
.000 ±0.10	.00°	±1°

LD CONN 东莞连大精密制品有限公司		Dongguan Lianda Precision Products Co., LTD	
TITLE	PH2.00mm Pin Header Dual Row 90°	DRAWN BY	YTT
PART NO	L20640-XX1XXXXA	CHECKED BY	
DRAWING NO		APPROVED BY	
SCALE	1:1	UNITE	mm
		PAGE	1/1
		SIZE	A4