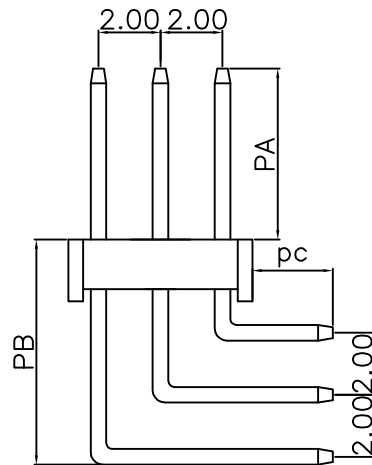
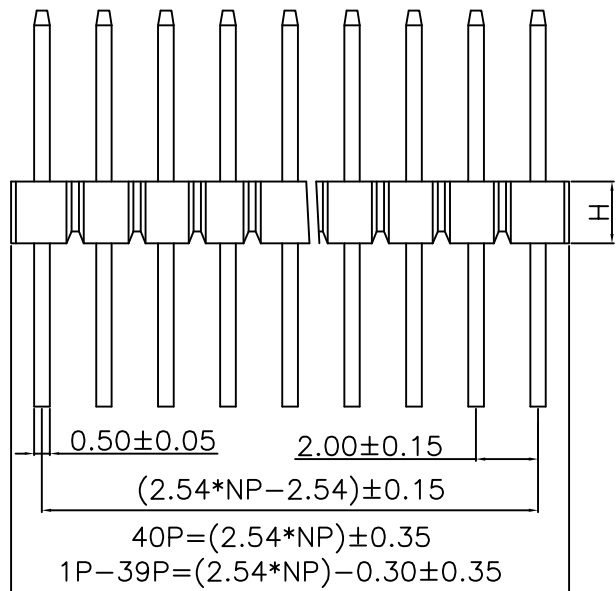
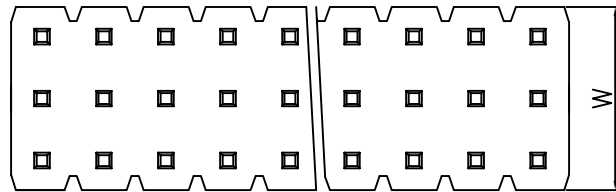


HSF RoHS

REV	ECN NO	DESCRIPTION	DATE	NAME
A		NEW		



Specifications

1. Current Rating: 2.0Amps
2. Insulation Resistance: 1000 MΩ min.
3. Dielectric withstanding Voltage: 500V AC/DC
4. Contact Resistance: 20 mΩ max.
5. Operating Temperature: -40°C to +105°C
6. Contact Material: Brass
7. Insulation Material: As follows, UL94V-0, Black
8. Plated: Au Over Ni

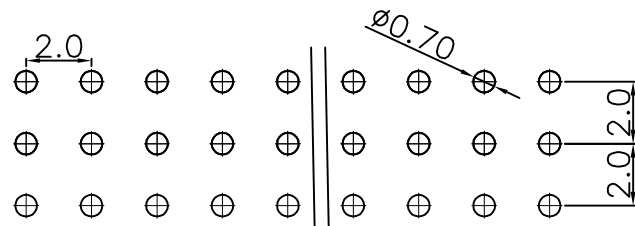
Ordering Information

L210 XX -XX 1 X X XX X

Insulation Height*Wide (H*W) Option: 20=2.00*6.0	NO. of Pins Per Row: 1-50P	Insulation Material Option: 1=PBT 2=PPS 3=NY6T 4=LCP 5=NY66 6=Customized 7=NY46 8=NY9T	Contact Plating 0=0.8" Gold 1=Au1" Gold 2=Au1.5" Gold 3=Au2" Gold 4=Au3" Gold 5=Au5" Gold 6=Customized 7=Gold/Tin 8=Tin	Serial NO. 01-69	Packing A=PE Bag B=Tube C=Tray D=Reel
--	-------------------------------	--	--	------------------	---

Dimension antitheses list

ITEM	PC	PB	PA	H	Pin Length
Standard	2.80	7.20	5.00	2.00	12.2/16.2/20.2
Alternate					



PCB LAYOUT

STANDARD TOLERANCE (EXCEPT SPECIFIED)

LINER	ANGLES
.0 ±0.30	0.° ±3°
.00 ±0.20	.0° ±2°
.000 ±0.10	.00° ±1°

LDCONN 东莞连大精密制品有限公司
 大 DongGuan LianDa Precision Products Co., LTD

TITLE	PH2.00mm Pin Header Three lines 90°	DRAWN BY	YTT	16.02.03
PART NO	L21020-XX1XXXXA	CHECKED BY		
DRAWING NO		APPROVED BY		
SCALE	1:1	UNIT	mm	PAGE 1/1
				SIZE A4