

HSE ROHS

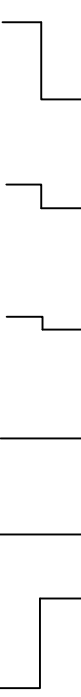
REV	ECN NO	DESCRIPTION	DATE	NAME
A		NEW		

Specifications

- 1.Current Rating:2.0Amps
- 2.Insulation Resistance:1000 MΩ min.
- 3.Dielectric withstanding Voltage: 500V AC/DC
- 4.Contact Resistance:20 mΩ max.
- 5.Operating Temperature:-40°C to+105°C
- 6.Contact Material: Brass
- 7.Insulation Material:Asfollows,UL94V-0,Black
- 8.Plated: Au Over Ni

Ordering Information

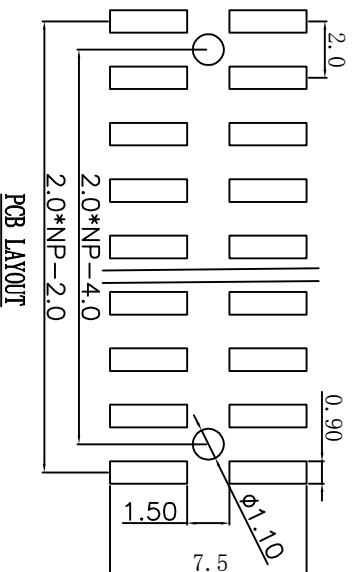
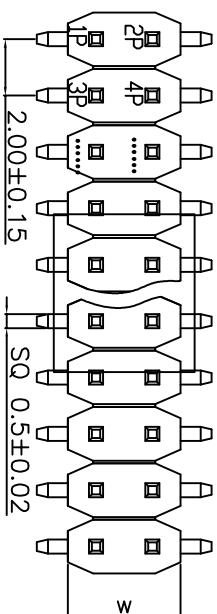
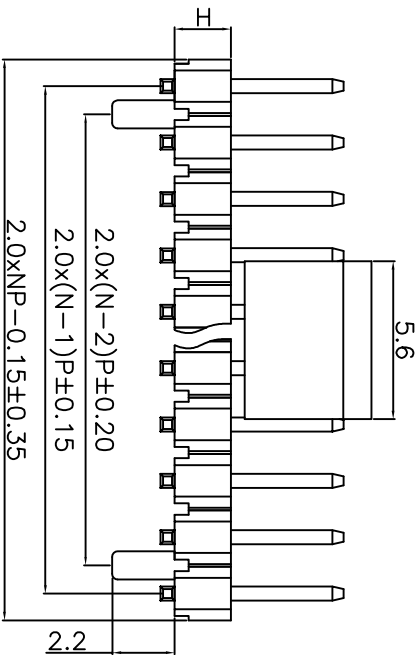
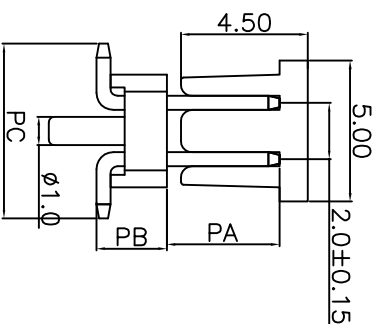
L206 XX-XX 2 X XX X



Insulation Height*W*Ide Per Row: 1-50P
 (H*W) Option: 1=BT, 2=PPS, 3=AW6T, 4=LCP, 5=NV66, 6=Customized, 7=Gold/Tin, 8=TYT

NO. of Pins Insulation Material Option: 1=BT, 2=PPS, 3=AW6T, 4=LCP, 5=NV66, 6=Customized, 7=Gold/Tin, 8=TYT

Contact Plating Serial NO. Packing
 0=0.8" Gold 01-69 A=PE Bag
 1=Au1" Gold B=Tube
 2=Au1.5" Gold C=Tray
 3=Au2" Gold D=Reel
 4=Au3" Gold
 5=Au5" Gold
 6=Customized
 7=Gold/Tin
 8=TYT



PCB LAYOUT

Dimension antitheses list				
ITEM	PC	PB	PA	H
Standard	6.50	2.70	4.20	2.00
Alternate				

LD CONN 东莞连大精密制品有限公司
 Dongguan LianDa Precision Products Co., LTD

STANDARD TOLERANCE (EXCEPT SPECIFIED)	ANGLES
LINER	0.° ±3°
	.0 ±0.30 0.° ±2°
	.00 ±0.20 .0° ±1°
	.000 ±0.10 .00° ±1°

TITLE	PI2.00mm Pin Header Dual Row SMT	DRAWN BY	YTT	YTT	16.02.03
PART NO	L20620-XX2XXXX	CHECKED BY			
DRAWING NO		APPROVED BY			
SCALE	1:1	UNITE	mm	PAGE	1/1
				SIZE	A4