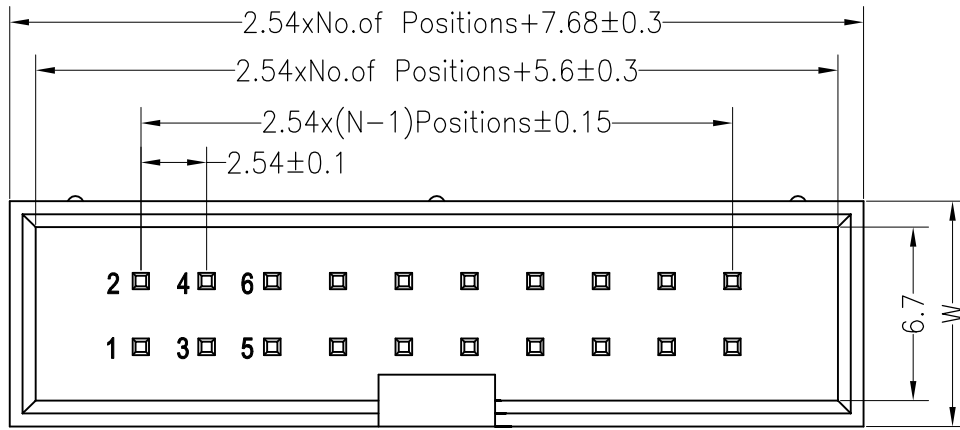


HSF RoHS

REV	ECN NO	DESCRIPTION	DATE	NAME
A		NEW		

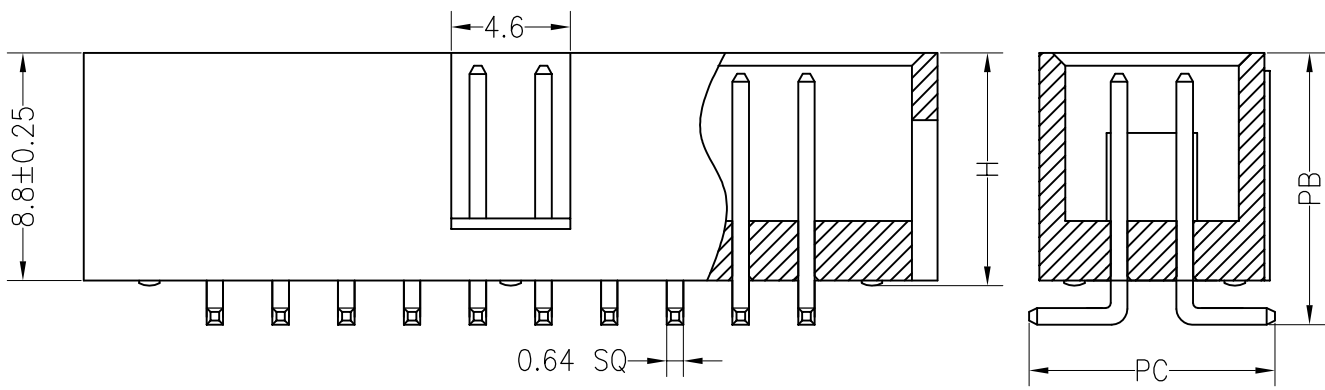


- Specifications**
- 1.Current Rating:3.0Amps
 - 2.Insulation Resistance:1000 MΩ min.
 - 3.Dielectric withstanding Voltage: 500V AC/DC
 - 4.Contact Resistance:20 mΩ max.
 - 5.Operating Temperature:-40°C to+105°C
 - 6.Contact Material: Brass
 - 7.Insulation Material:Asfollows,UL94V-0,Black
 - 8.Plated: Au Over Ni

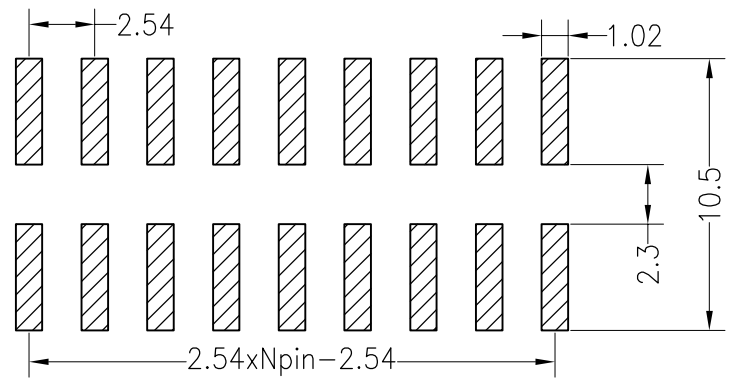
Ordering Information

L232 XX -XX 2 X X XX X

Insulation Height*Wide (H*W) 9.0*8.8	Per Row: 10P 26P 30P 40P 44P	Insulation Material Option: 1=PBT 2=PPS 3=NY6T 4=LCP 5=NY66 6=Customized 7=NY46 8=NY9T	Contact Plating 0=0.8" Gold 1=Au1" Gold 2=Au1.5" Gold 3=Au2" Gold 4=Au3" Gold 5=Au5" Gold 6=Customized 7=Gold/Tin 8=Tin	Serial NO. 01-69	A、袋装 B、管装 C、盘装 D、卷装
---	---	---	--	---------------------	------------------------------



Dimension antitheses list				
ITEM	PC	PB	H	Pin Length
Standard	9.50	10.50	9.00	12.40
Alternate				



PCB LAYOUT

STANDARD TOLERANCE (EXCEPT SPECIFIED)	
LINER	ANGLES
.0 ±0.30	0.° ±3°
.00 ±0.20	.0° ±2°
.000 ±0.10	.00° ±1°

LDCONN 东莞连大精密制品有限公司
DongGuan LianDa Precision Products Co., LTD

TITLE	PH2.54mm Pin Header Dual Row SMT	DRAWN BY	YTT	16.02.03
PART NO	L232XX-XX2XXXXX	CHECKED BY		
DRAWING NO		APPROVED BY		
SCALE	1:1	UNIT	mm	PAGE 1/1
				SIZE A4