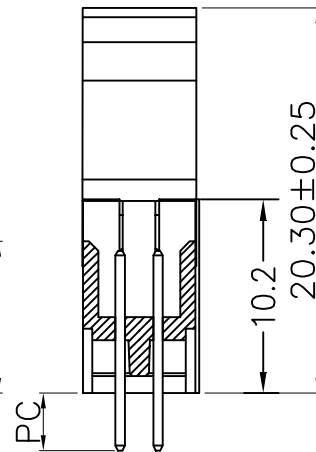
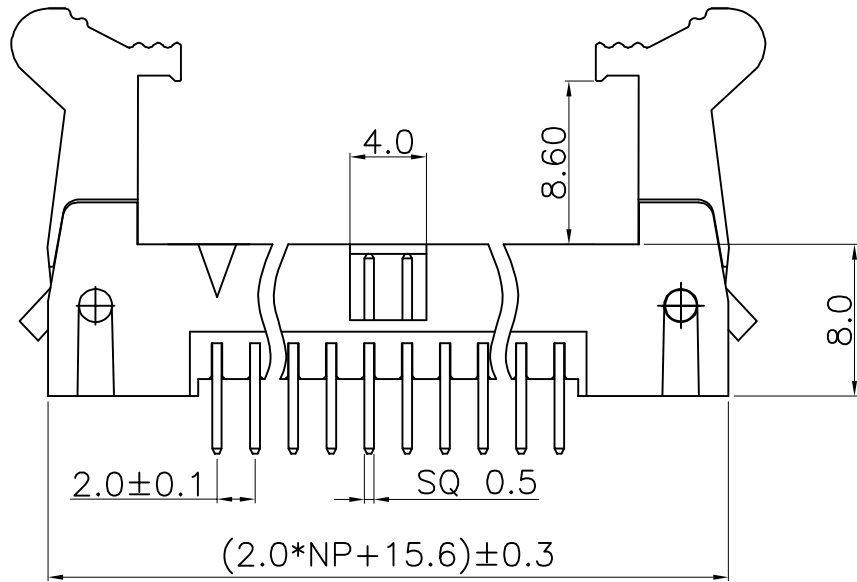
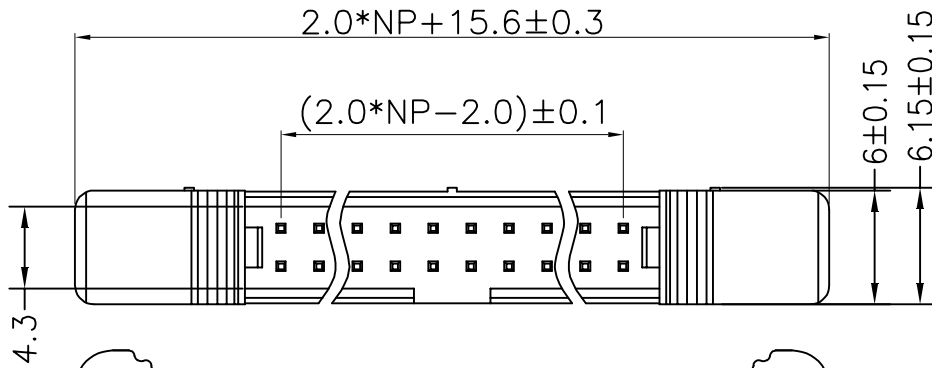


REV	ECN NO	DESCRIPTION	DATE	NAME
A		NEW		

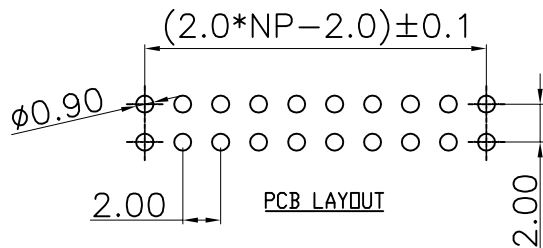
HSF RoHS

- MATERIALS AND FINISH
 - HOUSING MATERIALS: Asfollows
 - CONTACTS: Brass
 - PLATING: Asfollows
- SPECIFICATIONS
 - CURRENT RATING: 2AMP
 - INSULATION RESISTANCE: 1000MΩ
 - DIELECTRIC WITHSTANDING VOLTAGE: 1000V AC/DC.
 - OPERATING TEMPERATURE: -40°C TO +105°C.



Ordering Information

L240XX	-XX	0	X	X	XX	X
塑胶高度H 8.0	PIN数 01~40	1、PBT 2、NY6T 3、NY66 4、LCP 5、NY66 6、 7、NY46 8、NY9T	0、Au0.8u" 1、Au1u" 2、Au1.5u" 3、Au2u" 4、Au3u" 5、Au5u" 6、Au10u" 7、半金锡 8、镀亮锡 9、镀雾锡	流水号 01~69不带柱 70~99带内柱	A袋装 B管装 C盘装 D卷装	



STANDARD TOLERANCE (EXCEPT SPECIFIED)	
LINER	ANGLES
.0 ±0.30	0.° ±3°
.00 ±0.20	.0° ±2°
.000 ±0.10	.00° ±1°

LDCONN 东莞连大精密制品有限公司
 连大 DongGuan LianDa Precision Products Co., LTD

TITLE	2.0 Ejector Header Straight Type Long Latch	DRAWN BY	ZSL	18.10.13
PART NO	L240XX-XX0XXXXX	CHECKED BY		
DRAWING NO		APPROVED BY		
SCALE	1:1	UNIT	mm	PAGE 1/1
				SIZE A4