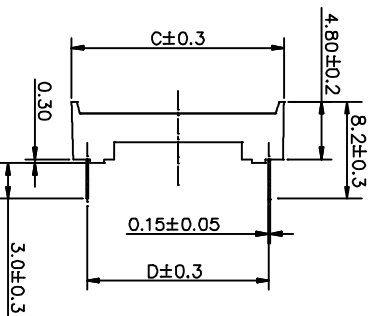
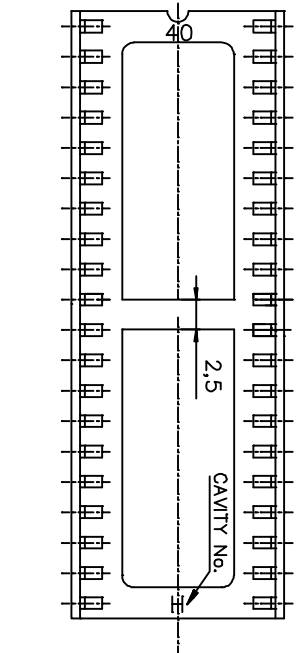
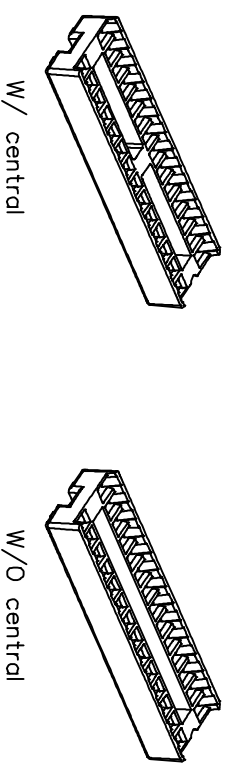


# HSE ROHS

REV	ECN NO	DESCRIPTION	DATE	NAME
A		NEW		

### Specifications

- Current Rating: 1amps
- Insulation Resistance: 1000 MΩ min.
- Dielectric withstanding Voltage: AC 500V
- Contact Resistance: 20 mΩ max.
- Operating Temperature: -40°C to +85°C
- Soldering Temperature: +220°C max, 10s max
- Contact Material: Brass
- Insulation Material: PBT 30%, UL94V-0, BLACK
- Plating: 80-120u" Tin Plating  
Nickel Plated With 30-60u"

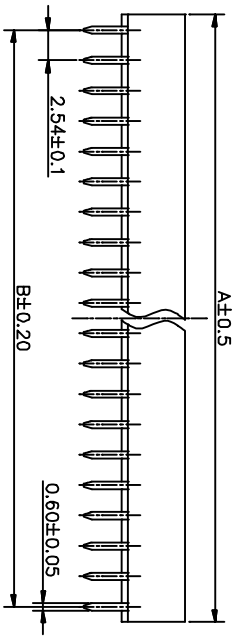


### Ordering Information

**L485XX-0 8 XX B**

NO. of Pins 0-180°  
 Per Row: 3-21P  
 Contact Plating 01-99  
 Serial No. 8-Tin  
 Packing B-Tube

PIN NO.	Dimension			
	A	B	C	D
2X3	7.62	5.08	10.16	7.62
2X4	10.16	7.62	10.16	7.62
2X7	17.78	15.24	10.16	7.62
2X8	20.32	17.78	10.16	7.62
2X9	22.86	20.32	10.16	7.62
2X10	25.40	22.86	10.16	7.62
2X12	30.48	27.94	10.16	7.62
2X12	30.48	27.94	10.16	7.62
2X12	30.48	27.94	10.16	7.62
2X14	35.56	33.02	10.16	7.62
2X14	35.56	33.02	10.16	7.62
2X14	35.56	33.02	10.16	7.62
2X16	40.64	38.10	17.78	15.24
2X20	50.80	48.26	17.78	15.24
2X21	53.34	50.80	17.78	15.24



STANDARD TOLERANCE (EXCEPT SPECIFIED)	LINER	ANGLES
.0 ± 0.30	0.°	± 3°
.00 ± 0.25	.0°	± 2°
.000 ± 0.15	.00°	± 1°

<b>LDCONN 东莞连大精密制品有限公司</b> Dongguan Lianda Precision Products Co., LTD		FIG. 64 IC Sockets Stamped Type	
TITLE	DRAWN BY	Lu Junhui	18.10.23
PART NO	CHECKED BY		
L88214-1X01X	APPROVED BY		
DRAWING NO			
SCALE	UNIT	mm	PAGE 1/1
1:1			SIZE A4