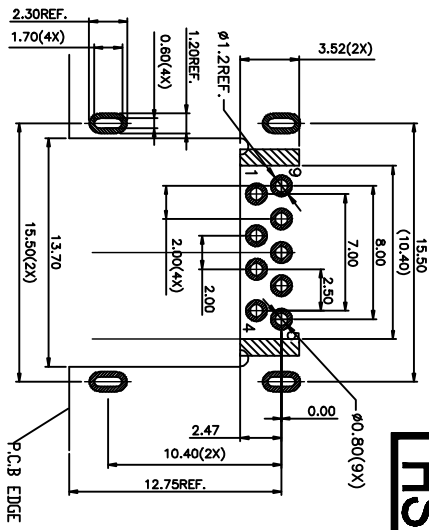
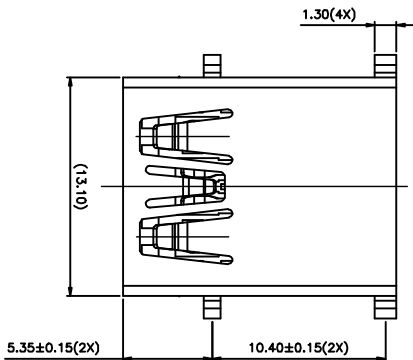


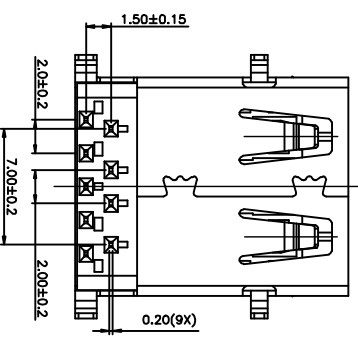
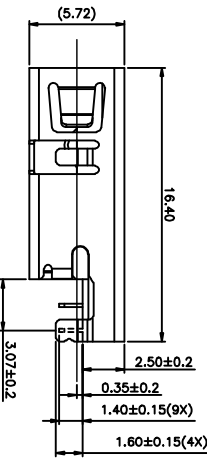
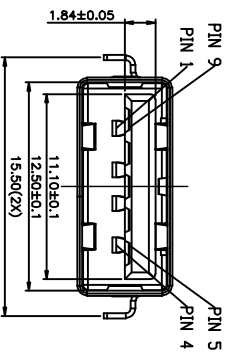
HSE ROHS

REV	ECN NO	DESCRIPTION	DATE	NAME
A		NEW		



⊠⊠ KEEP OUT AREA
(TOP VIEW)
RECOMMENDED PCB LAYOUT

- NOTE:
1. MATERIAL:
- 1.1 INSULATOR: LCP UL 94 V-0; BLUE
 - 1.2 CONTACT: C5191 (T=0.20mm)
 - 1.3 SHELL: SUS201 (T=0.30mm)
2. ELECTRICAL CHARACTERISTICS:
- 2.1 Current Rating: 1.8AMP at 250V AC Voltage Rating: 50V
 - 2.2 Insulation Resistance: 100MΩ Min
 - 2.3 Contact Resistance: 30mΩ Max
 - 2.4 Dielectric Withstanding Voltage: 100V AC
 - 2.5 OPERATING TEMPERATURE: -40°C ~ 85°C
3. MECHANICAL CHARACTERISTICS:
- 3.1 MATING FORCE: 35 N Max
 - 3.2 UNMATED FORCE: 10 N Min INITIAL; 8 N Min AFTER TEST
 - 3.3 DURABILITY: 5,000 CYCLES



Pin #	IGNAL NAME	DESCRIPTION	MATING SEQUENCE
1	VBUS	POWER	SECOND
2	D-	USB 2.0 DIFFERENTIAL PAIR	THIRD
3	D+		
4	GND	GROUND FOR POWER RETURN	SECOND
5	DATA_SSPC-	SUPER SPEED RECEIVER DIFFERENTIAL PAIR	LAST
6	DATA_SSPC+		
7	GND_DRAIN	GROUND FOR SIGNAL RETURN	
8	DATA_SSTX-	SUPER SPEED TRANSMITTER DIFFERENTIAL PAIR	
9	DATA_SSTX+		FIRST
Shell	Shield	CONNECTOR METAL SHELL	

STANDARD TOLERANCE (EXCEPT SPECIFIED)

LINER	ANGLES
0 ±0.30	0° ±3°
.00 ±0.20	0° ±2°
.000 ±0.10	.00° ±1°

Ordering Information

L75709 - 1 1 X XX X

PIN 09-9P

Layer: 1=Single Layer

Colour: 1=Blue, 3=Blue, 1=Black, 2=White

Serial NO. 01-99

Packing: C=Tray, D=Reel

LDCONN 东莞连大精密制品有限公司
Dongguan Lianda Precision Products Co., LTD

TITLE	USB 3.0 A/F Under the plate type CH-0.35mm	DRAWN BY	Lu Junhui
PART NO	L75709-11XXXX	CHECKED BY	
DRAWING NO		APPROVED BY	
SCALE	1:1	UNIT	mm
PAGE	1/1	SIZE	A4