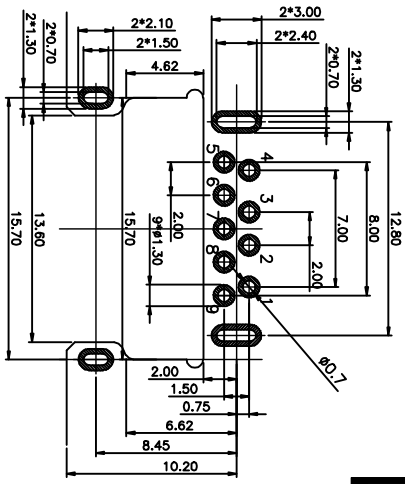


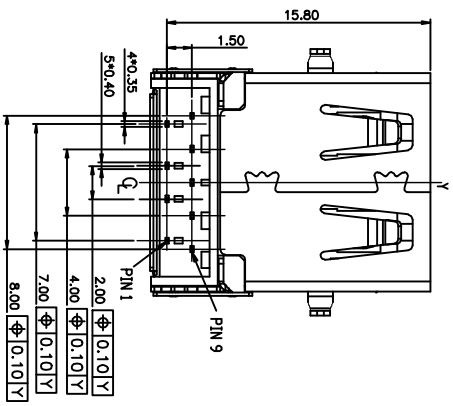
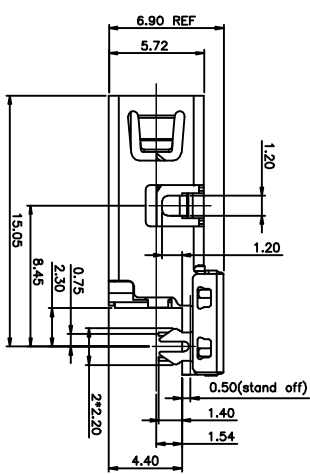
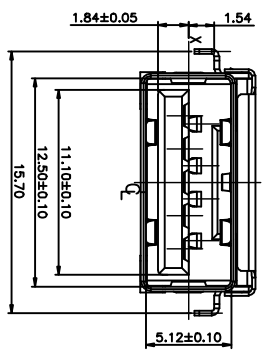
HSE ROHS

REV	ECN NO	DESCRIPTION	DATE	NAME
A		NEW		

- NOTE:
- MATERIAL:
 - INSULATOR: LCP UL 94 V-0; BLACK
 - CONTACT: C5191 (T=0.20mm)
 - SHELL: SUS201 (T=0.30mm)
 - ELECTRICAL CHARACTERISTICS:
 - Current Rating: 1.8AMP at 250V AC
Voltage Rating: 30V
 - Insulation Resistance: 100MΩ Min
 - Contact Resistance: 30mΩ Max
 - Dielectric Withstanding Voltage: 100V AC
 - OPERATING TEMPERATURE: -40°C ~ 85°C
 - MECHANICAL CHARACTERISTICS:
 - MATING FORCE: 35 N Max
 - UNMATED FORCE: 10 N Min INITIAL; 8 N Min AFTER TEST
 - DURABILITY: 5,000 CYCLES



TOLERANCE: ±0.05, THICKNESS: 1.2mm
RECOMMENDED PCB LAYOUT
(TOP VIEW)



Pin #	IGNAL NAME	DESCRIPTION	MATING SEQUENCE
1	VBUS	POWER	SECOND
2	D-	USB 2.0 DIFFERENTIAL PAIR	THIRD
3	D+	GROUND FOR POWER RETURN	THIRD
4	GND	GROUND FOR POWER RETURN	THIRD
5	S1A1_S1B1	SUPERSPEED RECEIVER DIFFERENTIAL PAIR	LAST
6	S1A1_S1B1	SUPERSPEED RECEIVER DIFFERENTIAL PAIR	LAST
7	GND_DRAIN	GROUND FOR SIGNAL RETURN	LAST
8	S1A1_S1B1	SUPERSPEED TRANSMITTER DIFFERENTIAL PAIR	LAST
9	S1A1_S1B1	SUPERSPEED TRANSMITTER DIFFERENTIAL PAIR	LAST
Shell	Shield	CONNECTOR METAL SHELL	FIRST

Ordering Information

L75709 - 1 1 X XX X

PIN 09-9P

Layer 1=Single Layer

Colour 3=Blue 1=Black 2=White

Serial NO. 01-99

Packing C=Tray D=Reel

<p>LDCONN 东莞连大精密制品有限公司 Dongguan Lianda Precision Products Co., LTD</p>		<p>LDCONN 东莞连大精密制品有限公司 Dongguan Lianda Precision Products Co., LTD</p>	
TITLE	USB 3.0 AF Under the plate type CH=1.54mm	DRAWN BY	Lujunhui
PART NO	L75709-11XXXX	CHECKED BY	
DRAWING NO		APPROVED BY	
SCALE	1:1	UNIT	mm
		PAGE	1/1
		SIZE	A4