

HSF RoHS

REV	BCN NO	DESCRIPTION	DATE	NAME
A		NEW		

NOTE:

1.MATERIAL:

- 1.1 INSULATOR:LCP UL 94V-0
- 1.2 CONTACT:C5191(T=0.20mm)
- 1.3 SHELL:SUS 201(T=0.30mm)

2.ELECTRICAL CHARACTERISTICS;

- 2.1 CONTACT RESISTANCE:30mΩ Max
- 2.2 CONTACT CURRENT RATING:1.5A
- 2.3 DIELECTRIC WITHSTANDING VOLTAGE:500 V R.M.S.
- 2.4 INSULATION RESISTANCE 100 MEGOHMS Min
- 2.5 OPERATING TEMPERATURE:-40°C ~ 85°C

3 MECHANICAL CHARACTERISTICS:

- 3.1 MATING FORCE:35 N Max
- 3.2 UNMATED FORCE:10 N Min INITIAL; 8 N Min AFTER TEST
- 3.3 DURABILITY:5,000 CYCLES

4.PLATING

- 4.1 TERMINAL CONTACT:(SEE TAB) GOLD PLATING ALL OVER 50u" MIN NICKEL AND 80u"MIN Matte Tin ALL OVER 50u" MIN NICKEL IN SOLDER AREA
- 4.2 SHELL:50u"MIN. NICKEL ALL OVER

Ordering Information

L75709 - 1 1 X XX X

PIN 09-9P

Layer
1=Single Layer

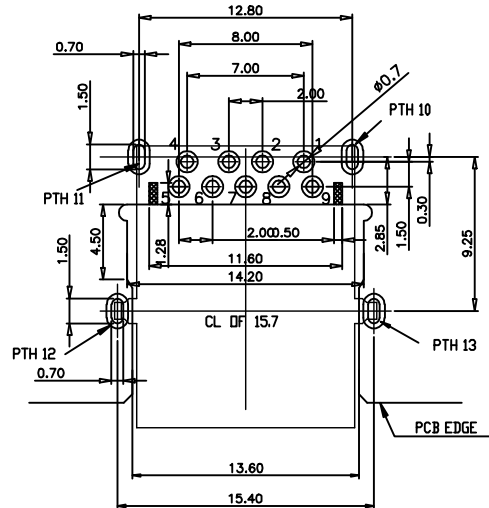
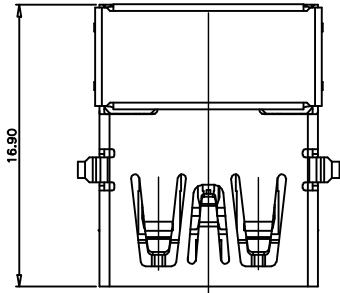
Colour
3=Blue
1=Black
2=White

Serial NO.
01-99

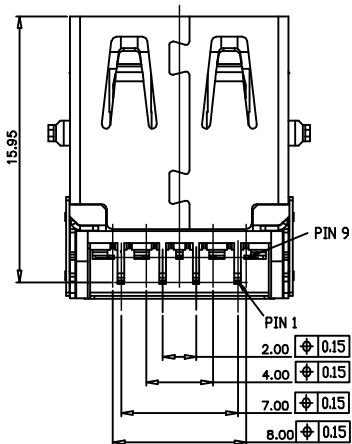
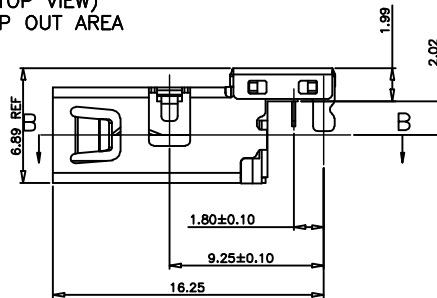
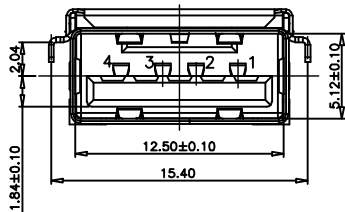
Packing
C=Tray
D=Reel

LDCONN 东莞连大精密制品有限公司
DongGuan LianDa Precision Products Co., LTD

TITLE	USB 3.0 AF Under the plate typeCH=2.02mm	DRAWN BY	Lujunhui	18.10.19
PART NO	L75709-113XXX	CHECKED BY		
DRAWING NO		APPROVED BY		
SCALE	1:1	UNIT	mm	PAGE 1/1 SIZE A4



TOLERANCE: ±0.05, THICKNESS: 1.2mm
RECOMMENDED PCB LAYOUT
 (TOP VIEW)
 [Cross-hatched area] KEEP OUT AREA



Pin #	SIGNAL NAME	DESCRIPTION	MATING SEQUENCE
1	VBUS	POWER	SECOND
2	D-	USB 2.0 DIFFERENTIAL PAIR	THIRD
3	D+	DIFFERENTIAL PAIR	
4	GND	GROUND FOR POWER RETURN	SECOND
5	Stda_SSPX-	SUPERSPEED RECEIVER DIFFERENTIAL PAIR	LAST
6	Stda_SSPX+		
7	GND_DRAIN	GROUND FOR SIGNAL RETURN	
8	Stda_SSTX-	SUPERSPEED TRANSMITTER DIFFERENTIAL PAIR	
9	Stda_SSTX+		
Shell	Shield	CONNECTOR METAL SHELL	FIRST

STANDARD TOLERANCE (EXCEPT SPECIFIED)

LINER		ANGLES	
.0	±0.30	0.°	±3°
.00	±0.20	.0°	±2°
.000	±0.10	.00°	±1°