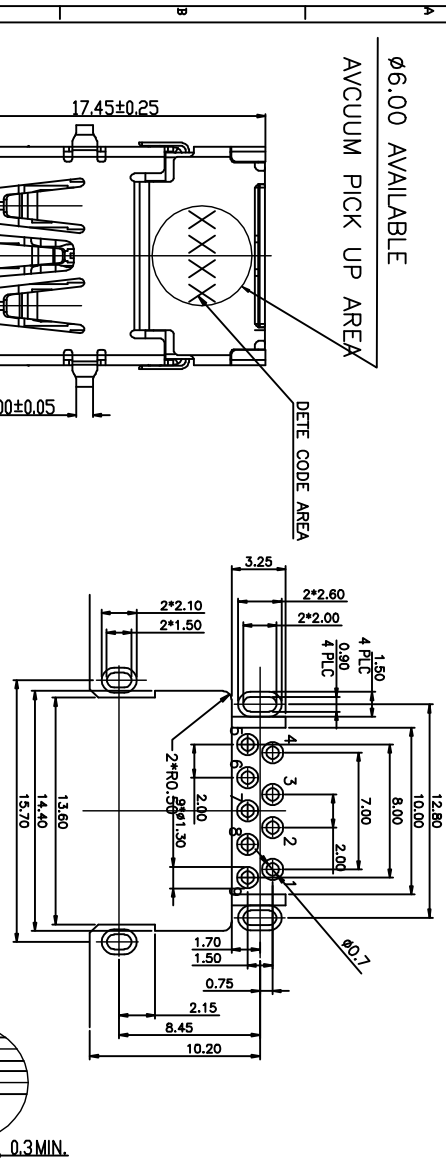
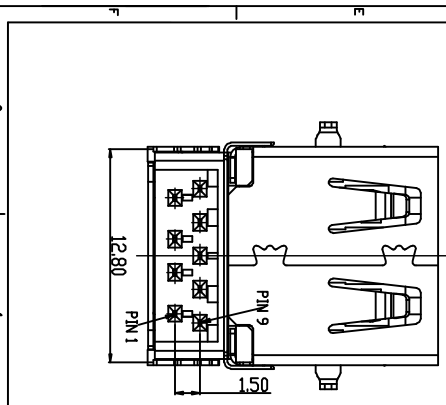
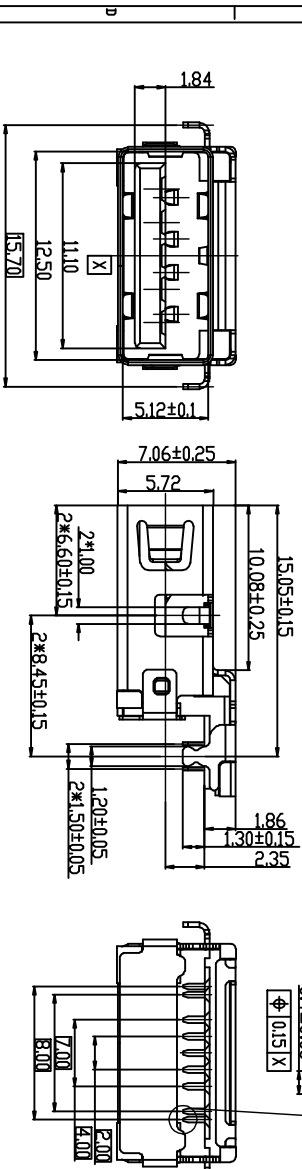


HSE ROHS

REV	ECN NO	DESCRIPTION	DATE	NAME
A		NEW		



TOLERANCE: ±0.05, THICKNESS: 1.2mm
RECOMMENDED PCB LAYOUT
(TOP VIEW)



Pin #	STANDARD NAME	DESCRIPTION	MATING SEQUENCE
1	VBUS	POWER	SECOND
2	D-	USB 2.0 DIFFERENTIAL PAIR	THIRD
3	D+	DIFFERENTIAL PAIR	THIRD
4	GND	GROUND FOR POWER RETURN	LAST
5	SIGNAL_SSP2C	SUPER SPEED RECEIVER DIFFERENTIAL PAIR	LAST
6	SIGNAL_SSP2A	DIFFERENTIAL PAIR	
7	GND_DRAIN	GROUND FOR SIGNAL RETURN	
8	SIGNAL_SSP1X	SUPER SPEED TRANSMITTER DIFFERENTIAL PAIR	
9	SIGNAL_SSP1Z	DIFFERENTIAL PAIR	
Shell	Shield	CONNECTOR METAL SHELL	FIRST

STANDARD TOLERANCE (EXCEPT SPECIFIED)
LINER ANGLES

.0	±0.30	0.°	±3°
.00	±0.20	0.°	±2°
.000	±0.10	.00°	±1.°

- NOTE:
- MATERIAL:
 - 1.1 INSULATOR: LCP UL 94 V-0: BLUE
 - 1.2 CONTACT: C5191 (T=0.20mm)
 - 1.3 SHELL: SUS201 (T=0.30mm)
 - ELECTRICAL CHARACTERISTICS:
 - 2.1 Current Rating: 1.8AMP at 250V AC
Voltage Rating: 30V
 - 2.2 Insulation Resistance: 100MΩ Min
 - 2.3 Contact Resistance: 30mΩ Max
 - 2.4 Dielectric Withstanding Voltage: 100V AC
 - 2.5 OPERATING TEMPERATURE: -40°C ~ 85°C
 - MECHANICAL CHARACTERISTICS:
 - 3.1 MATING FORCE: 35 N Max
 - 3.2 UNMATED FORCE: 10 N Min INITIAL; 8 N Min AFTER TEST
 - 3.3 DURABILITY: 5,000 CYCLES

Ordering Information

L75709 - 1 1 X XX X

PIN 09-9P

Layer
1=Single Layer

Colour
3=Blue
1=Black
2=White

Serial NO.
01-99

Packing
C=Tray
D=Reel

LDCONN 东莞连大精密制品有限公司 Dongguan LianDa Precision Products Co., LTD		DRAWN BY Lu Junhui	DATE 18.10.19
TITLE USB 3.0 AF Under the plate type CH-2.35mm		CHECKED BY	
PART NO L75709-11XXXX		APPROVED BY	
SCALE 1:1	UNIT mm	PAGE 1/1	SIZE A4