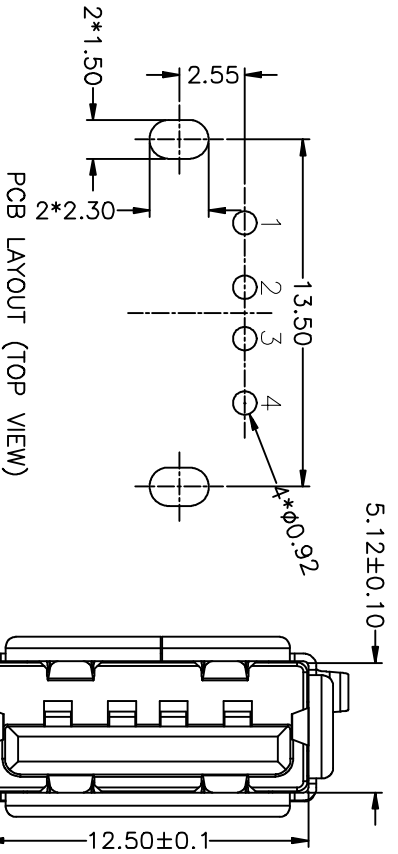
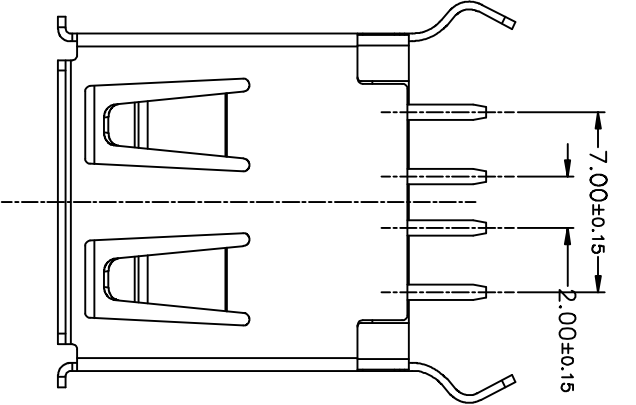
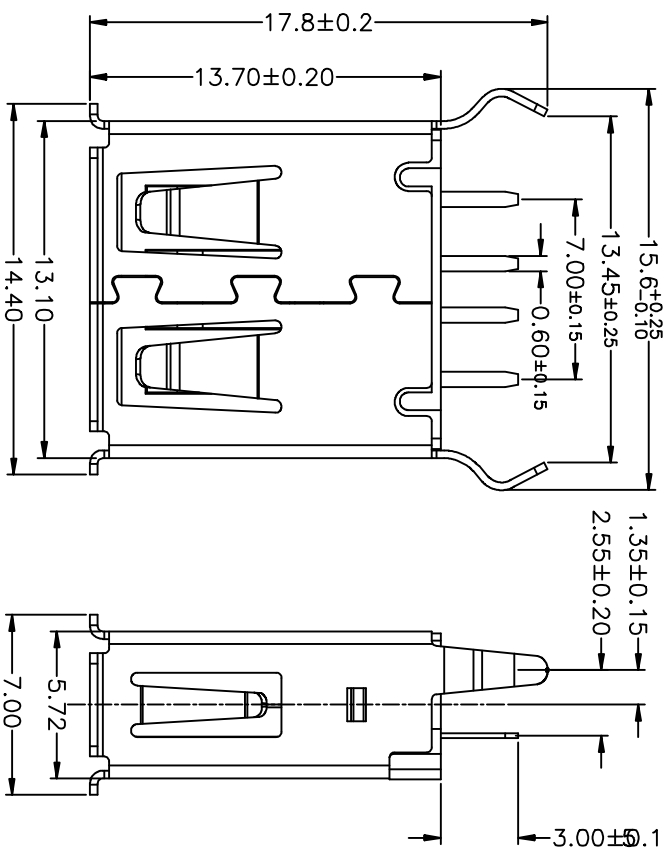


HSE ROHS

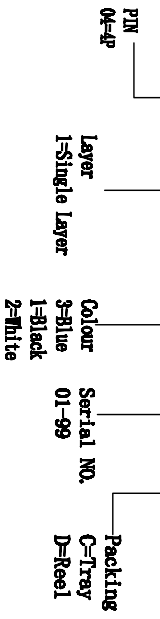
REV	ECN NO	DESCRIPTION	DATE	NAME
A		NEW		



- Material:
Contacts: COPPER ALLOY
T=0.20±0.02 mm
Insulator: PBT+30% UL94V-0
Shell: SPCC T=0.30±0.02 mm
- Mechanical:
Mating: 35N max
Withdraw Force: 10N min.
Durability: 1500cycles min
- Electical:
Current—max(amper) 1.5A
Voltage—max(volt) 30V
Withstanding Voltage 500V AC
Contact Resistance(ohms) 30 milliohms max.
Insulation Resistance(ohms) 1000 MΩ min.
- Plating:
Contacts: G/F On Contact Area
Tin 80U" Min On Solder Area,
Ni 50U" Min Under All
- Environmental:
Shell: Ni 80U" Min OVER ALL
Temperature Range: -25°C to 85°C

Ordering Information

L75704 - 1 0 XX X



NO	DESCRIPTION	QTY	MATERIAL	PLATING & COLOR
C	SHELL	1	SPCC	NICKEL PLATING OVERALL
B	CONTACT	4	C2680	G/F PLATING AT CONTACT AREA Ni UNDER PLATING OVERALL
A	HOUSING	1	LOW TEMP THERMOPLASTIC	WHITE

STANDARD TOLERANCE (EXCEPT SPECIFIED)	LINER	ANGLES
.0 ±0.30	0.°	±3°
.00 ±0.20	.0°	±2°
.000 ±0.10	.00°	±1°

LDCONN 东莞连大精密制品有限公司 Dongguan Lianda Precision Products Co., LTD		TITLE	USB 2.0 A/F 180° H13.7	DRAWN BY	Lu Junhui	DATE	18.11.08
PART NO	L75704-10XXXX	CHECKED BY					
DRAWING NO		APPROVED BY					
SCALE	1:1	UNIT	mm	PAGE	1/1	SIZE	A4