

HSE ROHS

REV	ECN NO	DESCRIPTION	DATE	NAME
A		NEW		

SPECIFICATIONS:

Contact current Rating:
 1.8 Amperes for pin1&pin4.
 0.25 Amperes for other contacts
 Dielectric Withstanding Voltage:AC 500V(RMS)
 Insulation resistance:1000Megohms Minimum.
 Contact Resistance:
 30mΩ Max for pin1&pin4
 30mΩ Max for other contacts
 Mechanical Characteristics:
 Mating Force:35 Newtons.Maximum
 Umating Force:10 Newtons.Minimum.
 8N Min After Durability

MATERIAL:

Housing: LCP 94V-0 COLOR:BLUE 300C
 Contact: COPPER ALLOY T=0.25±0.02 mm
 Shell: SUS T=0.30±0.02 mm

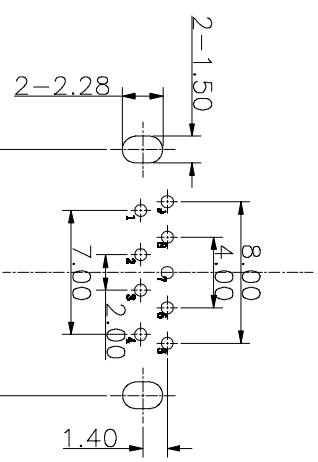
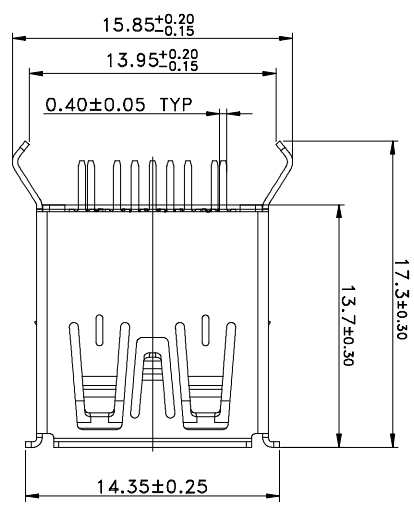
PLATING:

Contact: Au G/F Plated on contact area
 Tin 100U" Plated on solder area
 Nickel 50U" underplating over all
 Shell: Cu 50U"/Nickel 50U" Plated

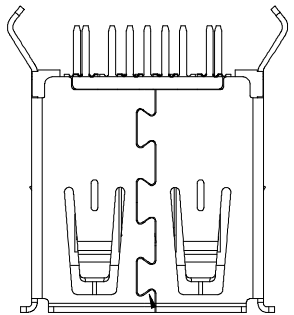
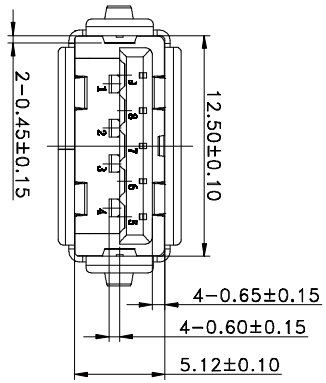
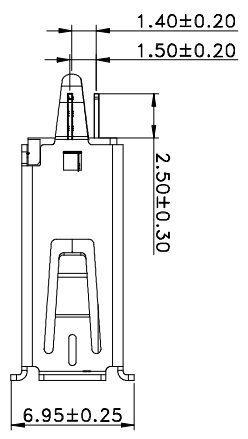
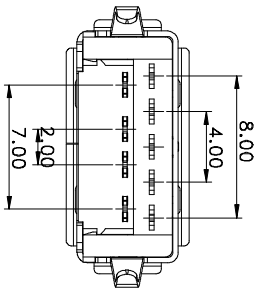
Ordering Information

L75709 - 1 0 XX X

PIN 09-9P
 Layer I=Single Layer
 Colour 3=Blue
 Serial NO. 01-99
 Packing C=Tray
 D=Reel
 1=Black
 2=White



REFERENCE PCB LAYOUT T=1.60MM



STANDARD TOLERANCE (EXCEPT SPECIFIED)	LINER	ANGLES
.0 ±0.30	0.°	±3°
.00 ±0.20	.0°	±2°
.000 ±0.10	.00°	±1°

LDCONN 东莞连大精密制品有限公司		Dongguan LianDa Precision Products Co., LTD	
TITLE	USB 3.0 A/F 180° H13.7	DRAWN BY	Lu Junhui
PART NO	L75709-10XXXX	CHECKED BY	
DRAWING NO		APPROVED BY	
SCALE	1:1	UNIT	mm
PAGE	1/1	SIZE	A4