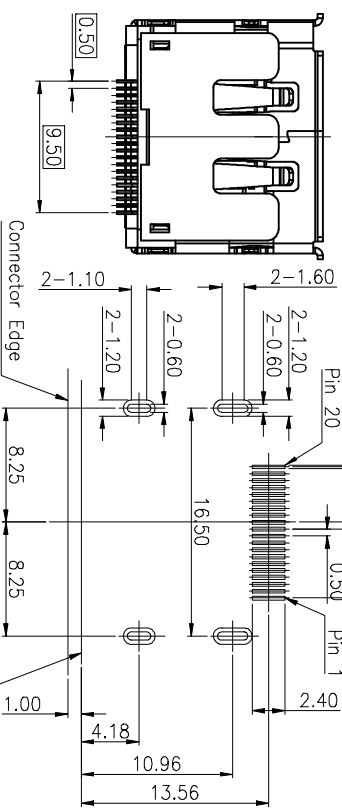
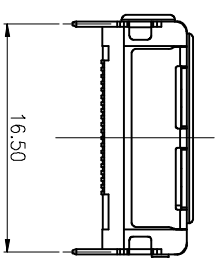
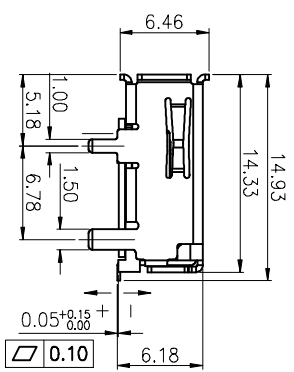
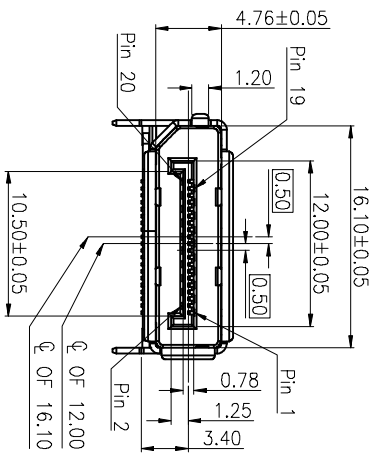
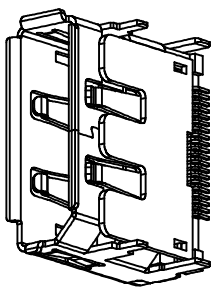
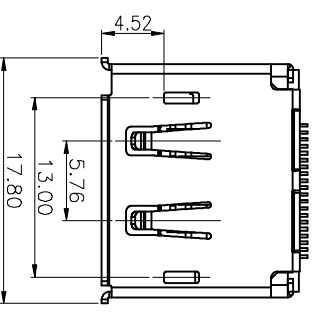


HSE ROHS

| REV | ECN NO | DESCRIPTION | DATE | NAME |
|-----|--------|-------------|------|------|
| A | | NEW | | |

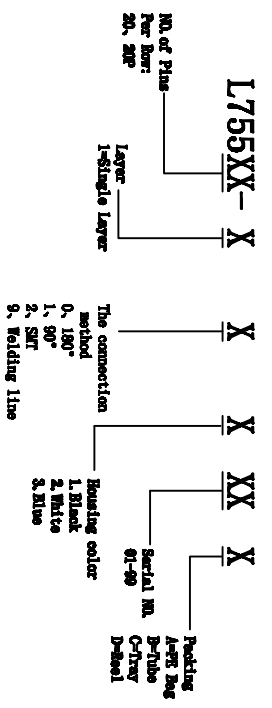


RECOMMENDED PCB LAYOUT
(THICKNESS=1.6±0.15mm)

NOTE:

- Material:
 - Housing: Lcp,UL94V-0; Color: Black
 - Cover: Lcp,UL94V-0; Color: Black
 - Contact: Copper Alloy
 - Shell: Copper Alloy
- FINISH:
 - Contact: Au Plated on Contact Area, Matt Tin Plated on Solder Tails, Nickel Underplating Over All.
 - Shell: Nickel Underplating Over All.
- Specification:
 - 3.1: Electrical:
 - Contact Current Rating: 0.5A
 - Insulation Resistance: 100MΩ Min.
 - Contact Resistance: 30 mΩ Max.
 - Dielectric Withstanding Voltage: 500V/AC 1Minute
 - 3.2 Mechanical:
 - Mating Force: 4.5Kgf Max.
 - Umating Force: 1.0Kgf~4.0Kgf
 - Durability: 10000 Cycles.

Ordering Information



| | | | |
|----------------------------|---------------------------------------|--|----------|
| LDCONN 东莞连大精密制品有限公司 | | Dongguan Lianda Precision Products Co., LTD | |
| TITLE | DP SMT TYPE with staggered No pillars | DRAWN BY | LuJunhui |
| PART NO | L75520-121XXD | CHECKED BY | |
| DRAWING NO | | APPROVED BY | |
| SCALE | 1:1 | UNIT | mm |
| PAGE | 1/1 | SIZE | A4 |

| STANDARD TOLERANCE (EXCEPT SPECIFIED) | ANGLES |
|---------------------------------------|----------|
| LINER | |
| .0 ±0.30 | 0.° ±3° |
| .00 ±0.25 | .0° ±2° |
| .000 ±0.15 | .00° ±1° |