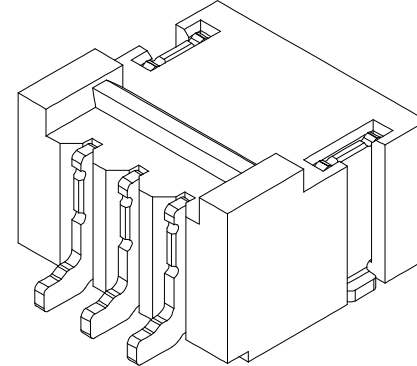
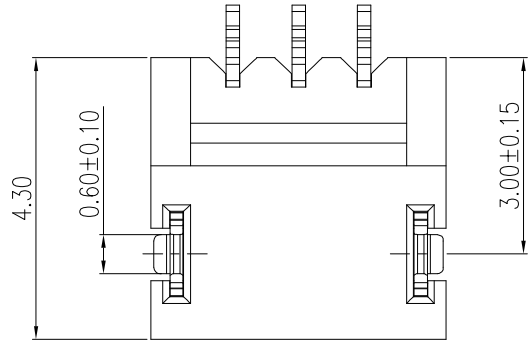
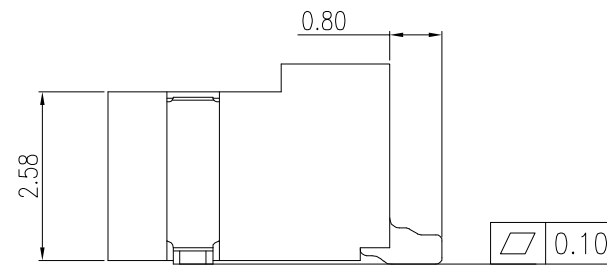
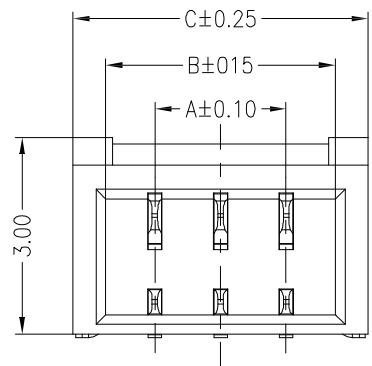


HSF RoHS

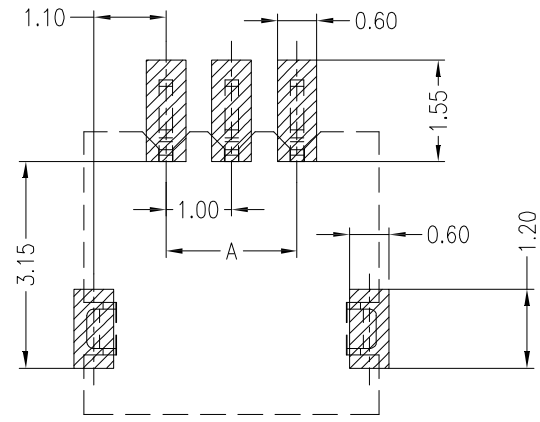
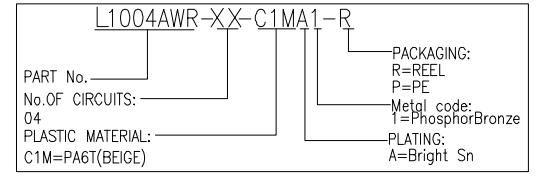
REV	ECN NO	DESCRIPTION	DATE	NAME
A	—	NEW	11/23-'19	ZCD



Main Specifications
 Poles: 02 to 20
 Contact resistance: ≤20m Ω
 Insulation resistance: ≥100M Ω
 Rated voltage: 125V AC DC
 Rated current: 1.0A AC DC
 Withstand Voltage: 500V AC/minute
 Temperature Range: -25°C~+85°C



ORDER INFORMATION:



PCB LAYOUT(Tolerance:±0.05)

Dimension(mm)	A	B	C	孔位	尺寸	A	B	C
2P	1.00	2.50	3.50	12P		11.00	12.5	13.5
3P	2.00	3.50	4.50	13P		12.00	13.5	14.5
4P	3.00	4.50	5.50	14P		13.00	14.5	15.5
5P	4.00	5.50	6.50	15P		14.00	15.5	16.5
6P	5.00	6.50	7.50	16P		15.00	16.5	17.5
7P	6.00	7.50	8.50	17P		16.00	17.5	18.5
8P	7.00	8.50	9.50	18P		17.00	18.5	19.5
9P	8.00	9.50	10.5	19P		18.00	19.5	20.5
10P	9.00	10.50	11.5	20P		19.00	20.5	21.5
11P	10.00	11.50	12.5					

LDCONN 连大 东莞连大精密制品有限公司
 DongGuan LianDa Precision Products Co., LTD

STANDARD TOLERANCE (EXCEPT SPECIFIED)	
LINER	ANGLES
.0 ±0.30	0.° ±5°
.00 ±0.25	.0° ±2°
.000 ±0.10	.00° ±1°

TITLE	1.0 Pitch Wafer 90° SMT	DRAWN BY	ZCD	11/23-'19
PART NO.	L1004AWR-XX-C1MA1-R	CHECKED BY		
DRAWING NO.		APPROVED BY		
SCALE	1:1	UNIT	mm	PAGE 1/1
				SIZE A4