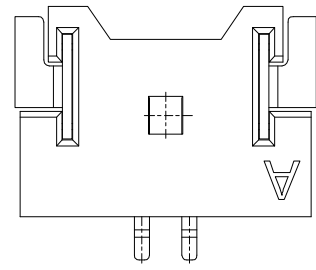
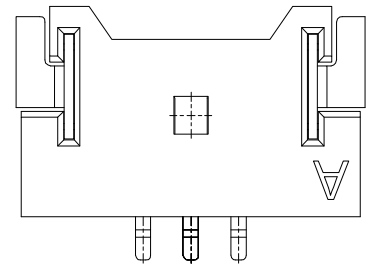


HSF RoHS

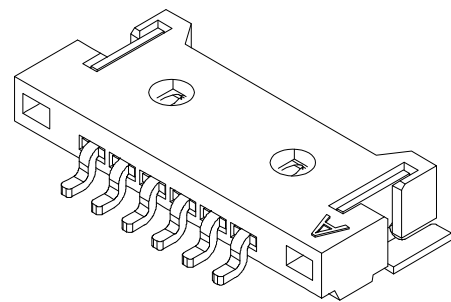
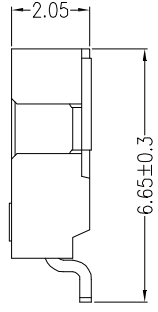
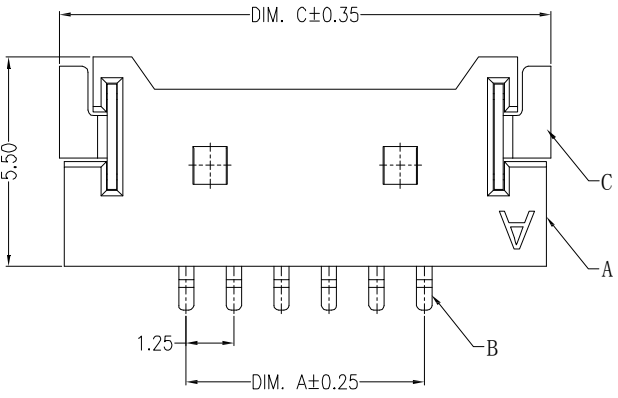
REV	ECN NO	DESCRIPTION	DATE	NAME
A	—	NEW	11/28-'19	LZM



L1254AWR-02



L1254AWR-03



Main Specifications

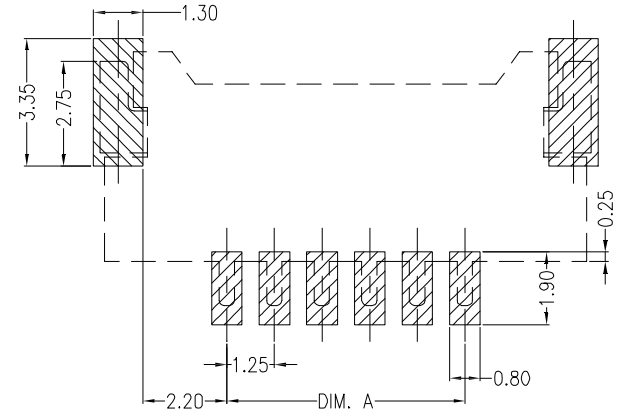
- Poles: 02 to 15
- Contact resistance: ≤ 20m Ω
- Insulation resistance: ≥ 100M Ω
- Rated voltage: 125V AC DC
- Rated current: 1.0A AC DC
- Withstand Voltage: 500V AC/minute
- Temperature Range: -25°C ~ +85°C

ORDER INFORMATION:

L1254AWR--***C1-***

PART No. _____	PACKAGING: R=REEL P=PB
No. OF CIRCUITS: 02~30	Metal code: 1=PhosphorBronze
PLASTIC MATERIAL: F1C=LCP (BEIGE) F1K=LCP (BLACK)	PLATING: C=GOLD

Circuits	Dimensions (mm)			
	DIM. A	DIM. B	DIM. C	DIM. D
02	1.25	7.65	7.90	2.90
03	2.50	8.90	9.15	4.15
04	3.75	10.15	10.40	5.40
05	5.00	11.40	11.65	6.65
06	6.25	12.65	12.90	7.90
07	7.50	13.90	14.15	9.15
08	8.75	15.15	15.40	10.40
09	10.00	16.40	16.65	11.65
10	11.25	17.65	17.90	12.90
11	12.50	18.90	19.15	14.15
12	13.75	20.15	20.40	15.40
13	15.00	21.40	21.65	16.65
14	16.25	22.65	22.90	17.90
15	17.50	23.90	24.15	19.15



SUGGESTED PCB LAYOUT
(COMPONENT SIDE)

STANDARD TOLERANCE
(EXCEPT SPECIFIED)

LINER	ANGLES
.0 ± 0.30	0.° ± 5°
.00 ± 0.25	.0° ± 2°
.000 ± 0.10	.00° ± 1°

ITEM	COMPONENT	Q'TY	MATERIAL	FINISH
C	Solder Tab	1 PCS	PhosphorBronze	Gold-plated
B	Contacts	1 PCS	PhosphorBronze	Gold-plated
B	Contacts	2~30PCS	PhosphorBronze	Gold-plated
A	HOUSING	2~30PIN	LCP	UL 94V-0, COLOR:BEIGE/BLACK

LDCONN 东莞连大精密制品有限公司
DongGuan LianDa Precision Products Co., LTD

TITLE	1.25mm Pitch 90° Wafer SMT TYPE	DRAWN BY	LZM	11/28-'19
PART NO.	L1254AWR-XX-XXXC1-X	CHECKED BY		
DRAWING NO.		APPROVED BY		
SCALE	1:1	UNIT	mm	PAGE 1/1
		SIZE	A4	