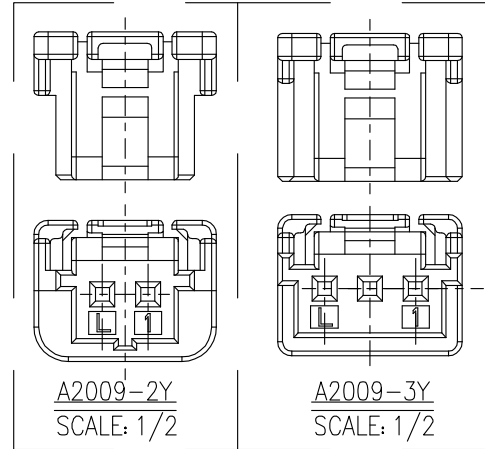
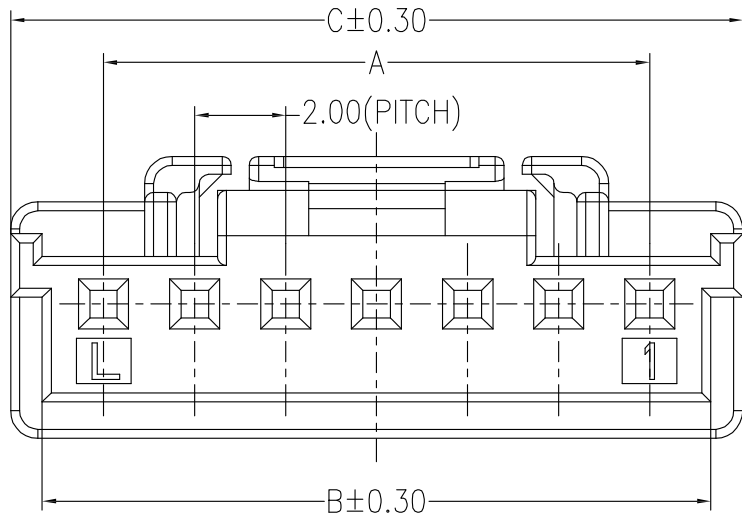
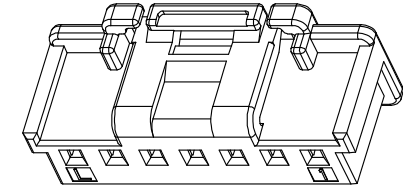
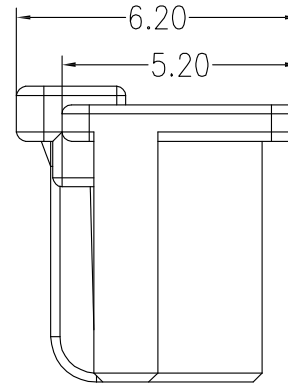
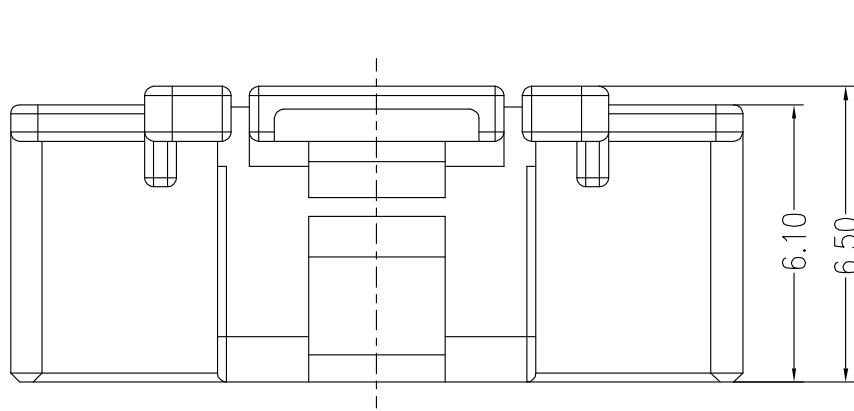


HSF RoHS

REV	ECN NO	DESCRIPTION	DATE	NAME
A	—	NEW	11/23-'19	HYJ



Main Specifications

Poles: 02 to 15
 Material: PBT UL94V-0
 Contact resistance: $\leq 10\text{m}\Omega$
 Insulation resistance: $\geq 1000\text{M}\Omega$
 Rated voltage: 250V AC DC
 Rated current: 3.0A AC DC
 Withstand Voltage: 500V AC/minute
 Temperature Range: $-40^\circ\text{C} \sim +105^\circ\text{C}$

ORDER INFORMATION:

L2009Y-XX-E3X-P		PACKAGING: P=PE
PART No.		
No. OF CIRCUITS:		
02~15		
PLASTIC MATERIAL:		
E3M=PBT(WHITE)		
E3K=PBT(BLACK)		

PIN.	DIM A	DIM B	DIM C	PIN.	DIM A	DIM B	DIM C
2Pin	2.00	4.70	8.00	9Pin	16.00	18.70	20.10
3Pin	4.00	6.70	8.10	10Pin	18.00	20.70	22.10
4Pin	6.00	8.70	10.10	11Pin	20.00	22.70	24.10
5Pin	8.00	10.70	12.10	12Pin	22.00	24.70	26.10
6Pin	10.00	12.70	14.10	13Pin	24.00	26.70	28.10
7Pin	12.00	14.70	16.10	14Pin	26.00	28.70	30.10
8Pin	14.00	16.70	18.10	15Pin	28.00	30.70	32.10

STANDARD TOLERANCE (EXCEPT SPECIFIED)	
LINER	ANGLES
.0 ±0.30	0.° ±3°
.00 ±0.25	.0° ±2°
.000 ±0.10	.00° ±1°

LDCONN 东莞连大精密制品有限公司
 连大 DongGuan LianDa Precision Products Co., LTD

TITLE	L2009Y 2.0MM PITCH Housing	DRAWN BY	HYJ	11/23-'19
PART NO	L2009Y-XX-E3X-P	CHECKED BY		
DRAWING NO		APPROVED BY		
SCALE	1:1	UNIT	mm	
		PAGE	1/1	SIZE A4