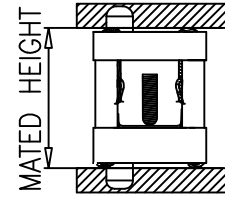
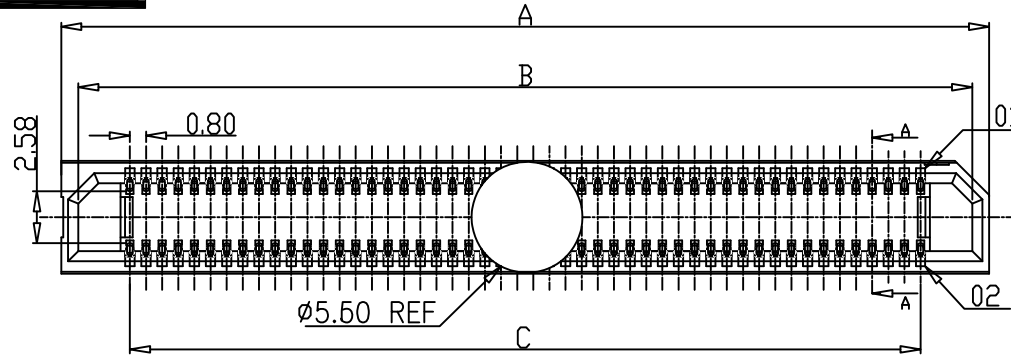


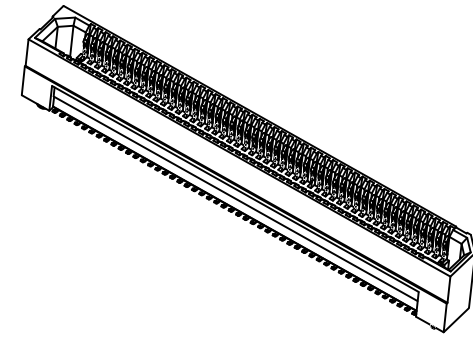
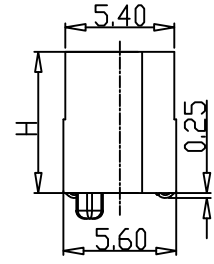
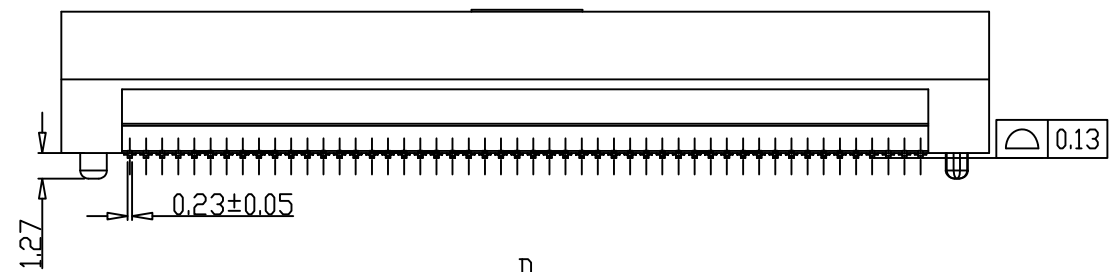
REV	ECN NO	DESCRIPTION	DATE	NAME
A	—	NEW	11/11-'20	ZW



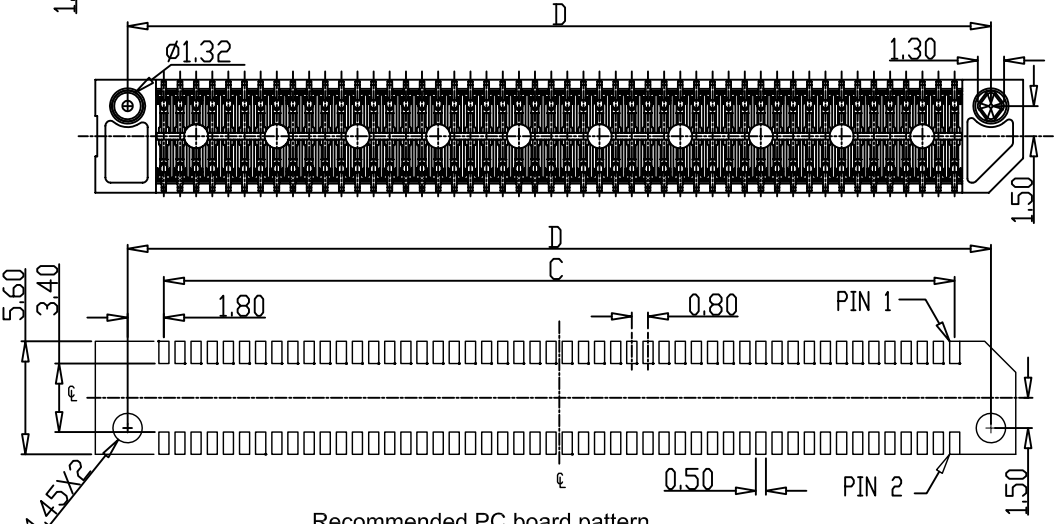
Ordering Information

LBT 080 - XX XX S X X XX X

Pitch 080=0.8	NO. of Pins Per Row: 01-99P	Insulation Height 50=5.0MM 70=7.0MM 90=9.0MM	product type D:DIP-180 R:DIP-90 S:SMT立贴 L:SMT贴片 W:DIP侧贴 Q:DIP背贴 C:Crimping打线	Insulator Material 1:PBT 2:LCP 3:NY46 4:NY66 5:NY6T 6:NY9T	Contact Plating G:G/F 1: Au1u" 2: Au3u" 3: Au5u" 4: Au10u" 5: Au15u" 6: Au30u" 7:Gold/Tin 8: Tin 9: Customized	Serial NO. 01-99	Packing A=PE Bag B=Tube C=Tray D=Reel
------------------	-----------------------------------	--	---	---	---	---------------------	---



POSITION	A	B	C	D
10	10.00	8.32	3.20	6.80
20	14.00	12.32	7.20	10.80
22	14.80	13.12	8.00	11.60
24	15.60	13.92	8.80	12.40
26	16.40	14.72	9.60	13.20
30	18.00	16.32	11.20	14.80
40	22.00	20.32	15.20	18.80
50	26.00	24.32	19.20	22.80
60	30.00	28.32	23.20	26.80
80	38.00	36.32	31.20	34.80
100	46.00	44.32	39.20	42.80
120	54.00	52.32	47.20	50.80
140	62.00	60.32	55.20	58.80
150	66.00	64.32	59.20	62.80
200	86.00	84.32	79.20	82.00



Recommended PC board pattern
(TOP VIEW)

MATED HEIGHT		ERM8 LEAD STYLE				HEIGHT	H
ERF8 LEAD STYLE		2.00	5.00	8.00	9.00		
5.00		7.00	10.00	13.00	14.00	5.00	5.10
7.00		9.00	12.00	15.00	16.00	7.00	7.00
9.00		11.00	14.00	17.00	18.00	9.00	9.00

SPECIFICATIONS
 1.CURRENT RATING:1.0A.
 2.VOLTAGE RATING 300VA.
 3.OPERATING TEMPERATURE RANGE:-55℃TO+125℃
 4.OPERATING HUMIDITY RANGE:90% TO 95%.
 5.WITHSTANDING VOLTAGE:500 VAC

STANDARD TOLERANCE (EXCEPT SPECIFIED)	
LINER	ANGLES
.0 ±0.30	0.° ±3°
.00 ±0.20	.0° ±2°
.000 ±0.10	.00° ±1°

LDCONN 东莞连大精密制品有限公司 DongGuan LianDa Precision Products Co., LTD

TITLE	ERF8 PH0.8 BTB 插座	DRAWN BY	ZW	11/11-'20
PART NO	LBT080-XXXXS2GXDXD	CHECKED BY		
DRAWING NO	—	APPROVED BY		
SCALE	1:1	UNIT	mm	PAGE 1/1
				SIZE A4