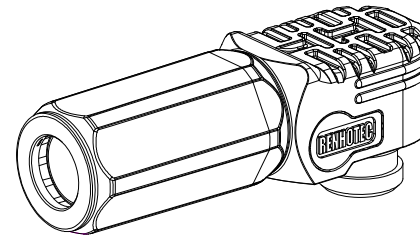
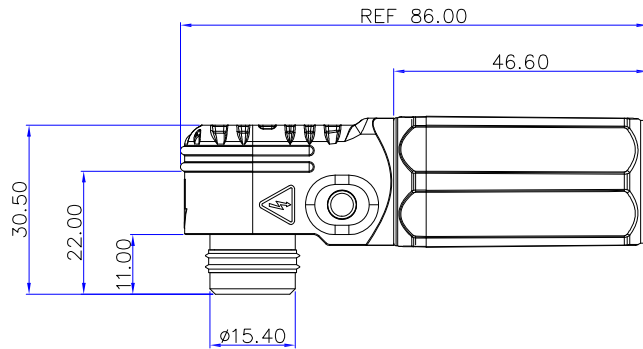
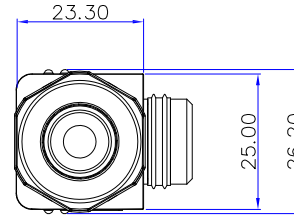
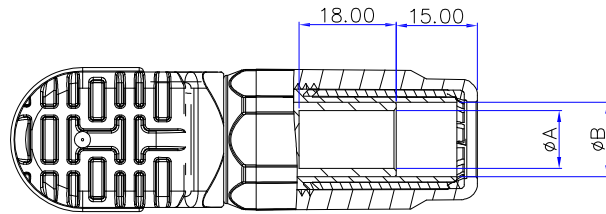


REV	ECN NO	DESCRIPTION	DATE	NAME
A	—	NEW	2021-10-09	KJL



Electrical performance:
 Rated current: 200A
 Rated voltage: 1000V ac
 Insulation voltage: 3000VDC(1Min)
 Temperature Rise: 4hrs < 20°C

Mechanical behavior:
 Durability: >2000 Cycles
 M&F Holding F: >200N
 Flame Retardant Grade: UL94-V0
 Operating temperature: -40°C ~ 125°C

A	B	Cable mm ²	Rated Current
10.70	13.80	50	200
9.00	11.70	35	150
7.80	10.20	25	120

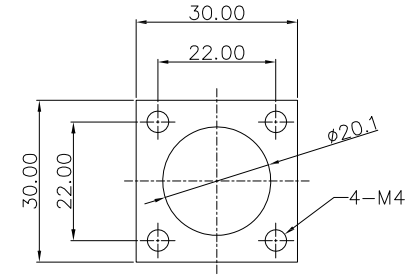
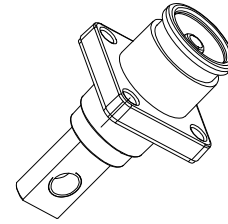
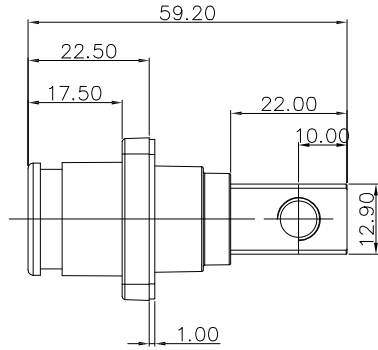
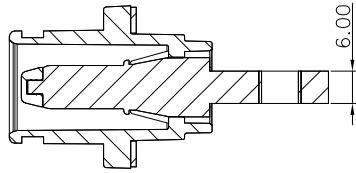
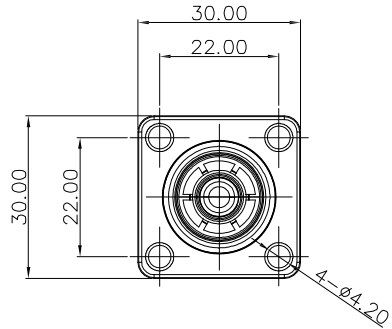
NO	Description	Material	Finish	Qty
11	Insetion Sealing	Silicone		1
10	Flexcoils Touch-FAinger	C17200	Gold	3
9	Button Name	PA		1
8	Speing	Stainless Steel		1
7	Plastic Nut	PA		1
6	Plastic Button	PA		1
5	Cable Clamp	PA		1
4	Rubber Sesling	Silicone		1
3	O-Ring	Silicone		1
2	Socket	T2	Gold	1
1	Receptacle Shell	PA		1

STANDARD TOLERANCE (EXCEPT SPECIFIED)	
LINER	ANGLES
.0 ±0.10	0.° ±3°
.00 ±0.05	.0° ±2°
.000 ±0.03	.00° ±1°

LDCONN 东莞连大精密制品有限公司
 連大 DongGuan LianDa Precision Products Co., LTD

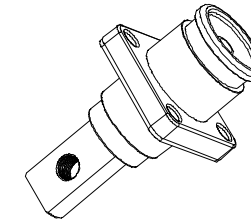
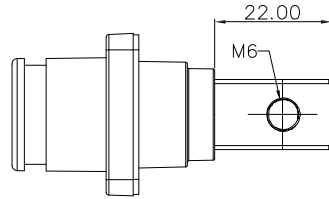
TITLE	Ø8.0mm 电缆 25/35/50mm ² 单芯插头	DRAWN BY	KJL	2021-10-09
PART NO.	LPVF01A0004	CHECKED BY		
DRAWING NO.		APPROVED BY		
SCALE	1:1	UNIT	mm	PAGE 1/1
				SIZE A4

REV	ECN NO	DESCRIPTION	DATE	NAME
A	—	NEW	2021-10-09	KJL



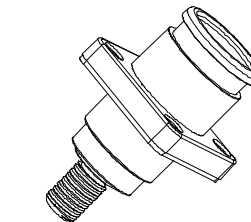
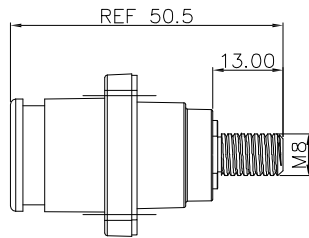
LPVM01A0006

Recommended PCB size



LPVM01A0007

Electrical performance:
 Rated current: 200A
 Rated voltage: 1000V ac
 Insulation voltage: 3000VDC(1Min)
 Temperature Rise: 4hrs < 20°C



LPVM01A0008

Mechanical behavior:
 Durability: >2000 Cycles
 M&F Holding F: >200N
 Flame Retardant Grade: UL94-V0
 Operating temperature: -40°C ~ 125°C

LD CONN 东莞连大精密制品有限公司
 連大 DongGuan LianDa Precision Products Co., LTD

4	Square Gasket	CR		1
3	Pin	T2		1
2	Finger Protection	PA	Gold	1
1	Plug Shell	PA		1
NO	Description	Material	Finish	Qty

STANDARD TOLERANCE (EXCEPT SPECIFIED)	
LINER	ANGLES
.0 ±0.10	0.° ±3°
.00 ±0.05	.0° ±2°
.000 ±0.03	.00° ±1°

TITLE	Ø8.0mm 200A插座	DRAWN BY	KJL	2021-10-09
PART NO.	LPVM01AXXXX	CHECKED BY		
DRAWING NO.		APPROVED BY		
SCALE	1:1	UNIT	mm	PAGE 1/1
				SIZE A4