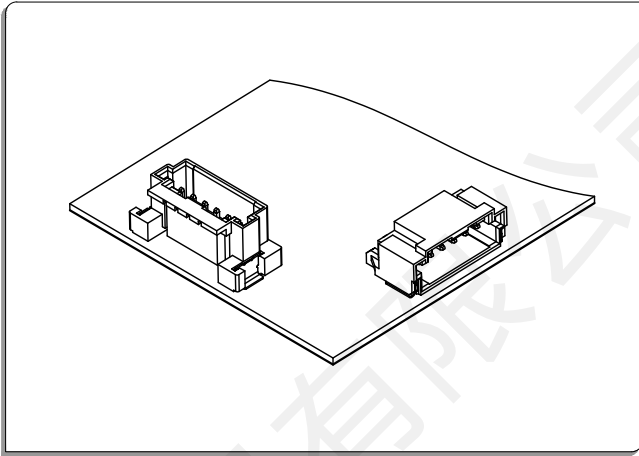


# WT200B (MX2.0) Connector 2.0mm Pitch

WTB  
2.0

WT200B (MX2.0) Connector 2.0mm Pitch

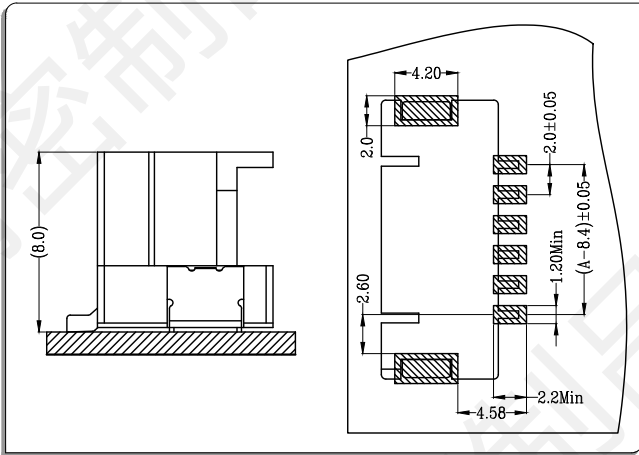


## ● 技术参数 SPECIFICATIONS

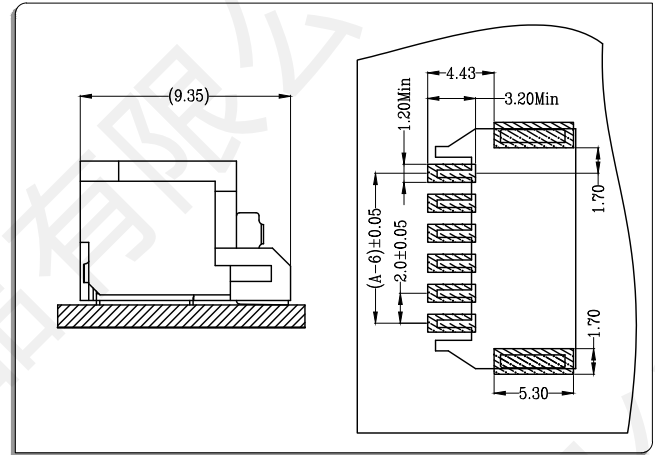
- 1、极数CKT: 2Pin to 15Pin
- 2、额定电流Current rating: 2A AC/DC
- 3、额定电压Voltage rating(max): 125V, AC/DC
- 4、工作温度Working Temperature:  $-25^{\circ}\text{C} \sim +85^{\circ}\text{C}$ ,  
(含通电温度上升值)  
(Including temperature rise in applying electrical current)
- 5、接触电阻Contact resistance:value  $\leq 40\text{m}\Omega$
- 6、绝缘电阻Insulation resistance:  $\geq 1000\text{M}\Omega$
- 7、耐电压Withstand voltage: 500VAC (rms)
- 8、适用基板厚度Applicable PC board thickness: 1.6mm to 2.0mm

## ● 安装尺寸 Mounting Measurement

### ● 立式 Straight Angle

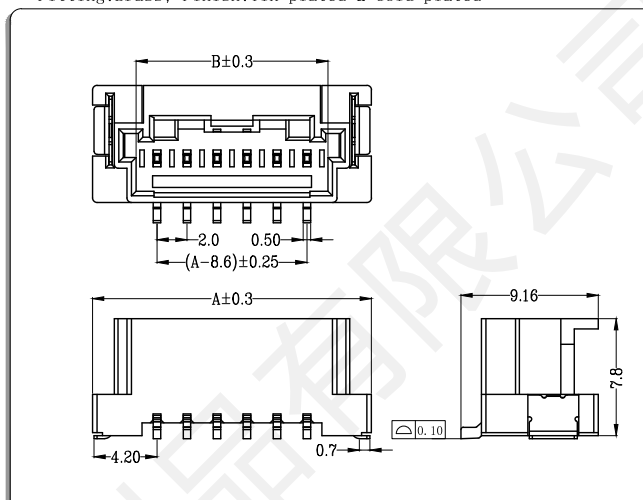


### ● 卧式 Right Angle



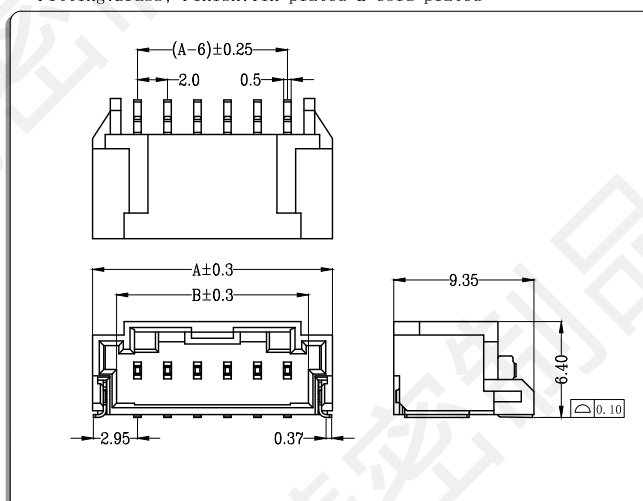
# WT200B(MX2.0) Connector 2.0mm Pitch

- 针座 Wafer
- 材料与表面处理 Material and Finish:  
Housing:PA9T UL94V-0 & Terminal:phosphor bronze &  
Fitting:Brass; Finish:Tin-plated & Gold-plated



CKT	Part No	DIM A	DIM B
2	WT200BL-02	10.70	4.80
3	WT200BL-03	12.40	6.80
4	WT200BL-04	14.40	8.80
5	WT200BL-05	16.40	10.80
6	WT200BL-06	18.40	12.80
7	WT200BL-07	20.40	14.80
8	WT200BL-08	22.40	16.80
9	WT200BL-09	24.40	18.80
10	WT200BL-10	26.40	20.80
11	WT200BL-11	28.40	22.80
12	WT200BL-12	30.40	24.80
—	— — —	— —	— —
15	WT200BL-15	36.40	30.80

- 材料与表面处理 Material and Finish:  
Housing:PA9T UL94V-0 & Terminal:phosphor bronze &  
Fitting:Brass; Finish:Tin-plated & Gold-plated



CKT	Part No	DIM A	DIM B
2	WT200BW-02	8.00	4.80
3	WT200BW-03	10.00	6.80
4	WT200BW-04	12.00	8.80
5	WT200BW-05	14.00	10.80
6	WT200BW-06	16.00	12.80
7	WT200BW-07	18.00	14.80
8	WT200BW-08	20.00	16.80
9	WT200BW-09	22.00	18.80
10	WT200BW-10	24.00	20.80
11	WT200BW-11	26.00	22.80
12	WT200BW-12	28.00	24.80
—	— — —	— —	— —
15	WT200BW-15	42.00	30.80

WTB  
2.0

WT200B(MX2.0) Connector 2.0mm Pitch