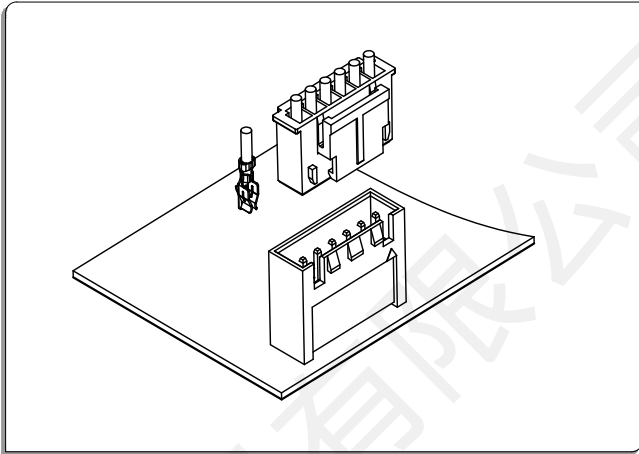


WT250D (SMH) Connector 2.5mm Pitch

WTB
2.5

WT250D (SMH) Connector 2.5mm Pitch

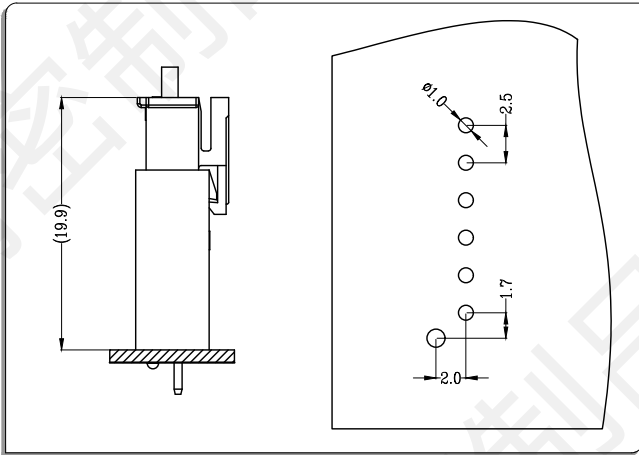


● 技术参数 SPECIFICATIONS

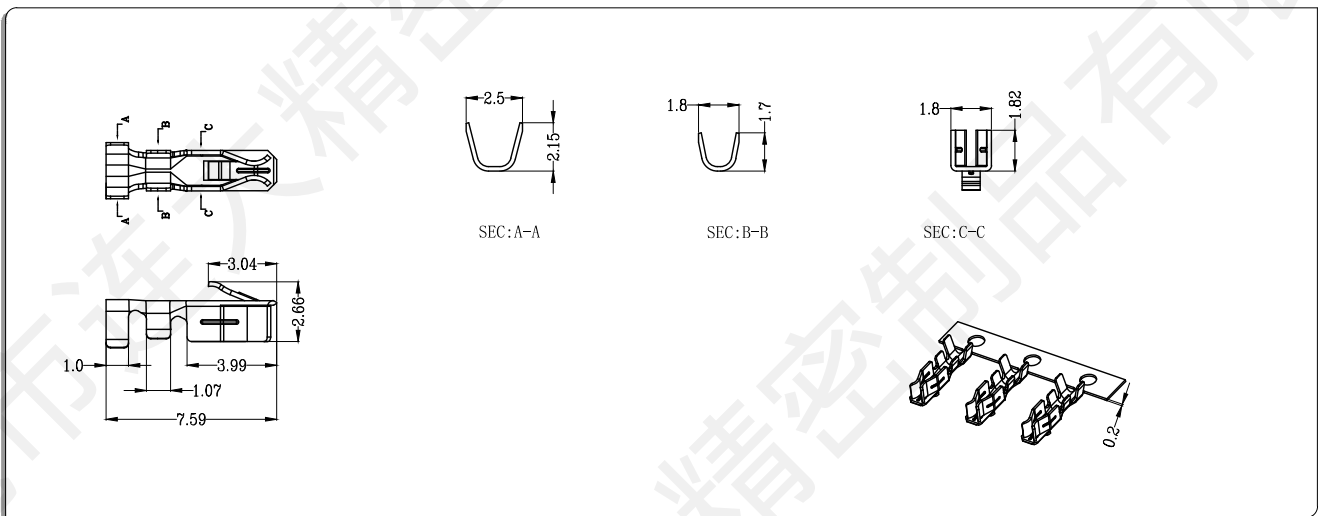
- 1、极数CKT: 2Pin to 16Pin
- 2、额定电流Current rating: 3A AC/DC
- 3、额定电压Voltage rating(max): 250V, AC/DC
- 4、工作温度Working Temperature: -25°C~+85°C, (含通电温度上升值)
(Including temperature rise in applying electrical current)
- 5、接触电阻Contact resistance: 初始Initial value $\leq 20m\Omega$
环境测试后After environmental testing $\leq 30m\Omega$
- 6、绝缘电阻Insulation resistance: $\geq 1000M\Omega$
- 7、耐电压Withstand voltage: 1000VAC (rms)
- 8、适用线规 Applicable wire: AWG #28 to #22
- 9、适用基板厚度Applicable PC board thickness: 1.6mm to 2.0mm

● 安装尺寸 Mounting Measurement

● 立式 Straight Angle



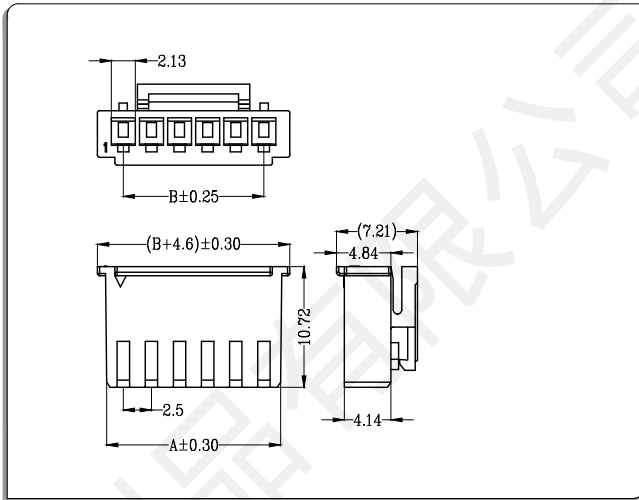
● 端子Terminal: T=0.2mm



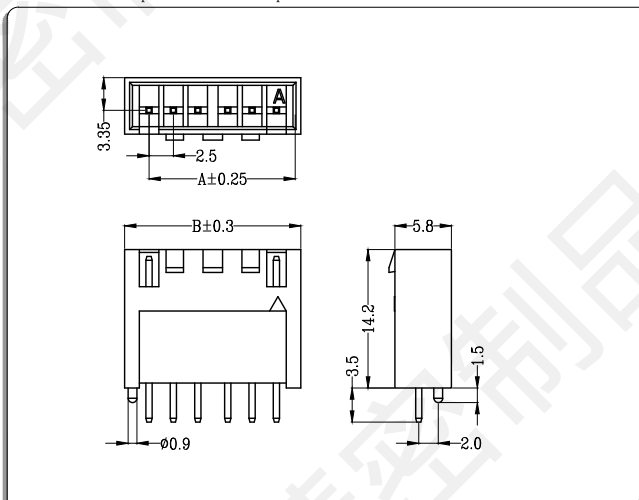
Part No.	Wire Range	Insulation O.D	Material	Finish
WT250D0—T0	AWG#28~#22	1.90mm MAX	phosphor bronze	Tin & Gold-plated

WT250D (SMH) Connector 2.5mm Pitch

- 公头胶壳 Housing
- 材料Material: Nylon 66 UL94V-0



- 针座 Wafer
- 材料与表面处理 Material and Finish:
Housing:Nylon 66 UL94V-0 & Terminal:Brass
Finish:Tin-plated & Gold-plated



CKT	Part No	DIM A	DIM B
2	WT250D0-02	5.48	2.50
3	WT250D0-03	7.98	5.00
4	WT250D0-04	10.48	7.50
5	WT250D0-05	12.98	10.00
6	WT250D0-06	15.48	12.50
7	WT250D0-07	17.98	15.00
8	WT250D0-08	20.48	17.50
9	WT250D0-09	22.98	20.00
10	WT250D0-10	25.48	22.50
11	WT250D0-11	27.98	25.00
12	WT250D0-12	30.48	27.50
--	-- --	--	--
16	WT250D0-16	40.48	37.50

CKT	Part No	DIM A	DIM B
2	WT250DL-02	2.50	7.50
3	WT250DL-03	5.00	10.00
4	WT250DL-04	7.50	12.50
5	WT250DL-05	10.00	15.00
6	WT250DL-06	12.50	17.50
7	WT250DL-07	15.00	20.00
8	WT250DL-08	17.50	22.50
9	WT250DL-09	20.00	25.00
10	WT250DL-10	22.50	27.50
11	WT250DL-11	25.00	30.00
12	WT250DL-12	27.50	32.50
--	-- --	--	--
15	WT250DL-15	35.00	40.00

WTB
2.5

WT250D (SMH) Connector 2.5mm Pitch