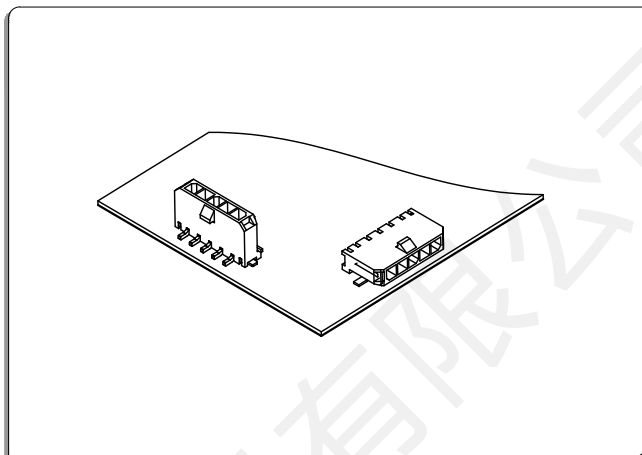


WT5557 (43640&43645) Connector 3.0mm Pitch

WTB
3.0

WT5557 (43640&43645) Connector 3.0mm Pitch

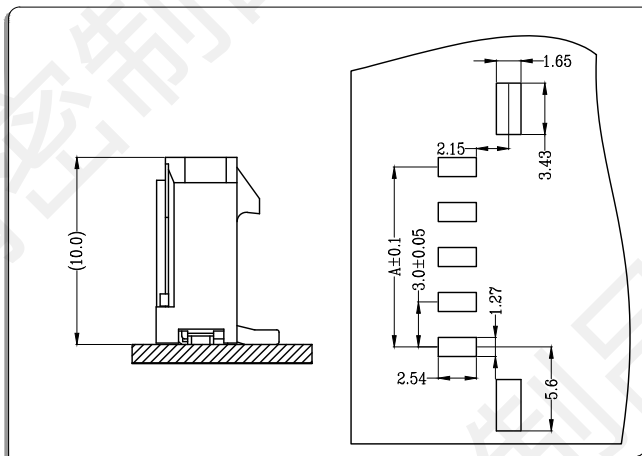


● 技术参数 SPECIFICATIONS

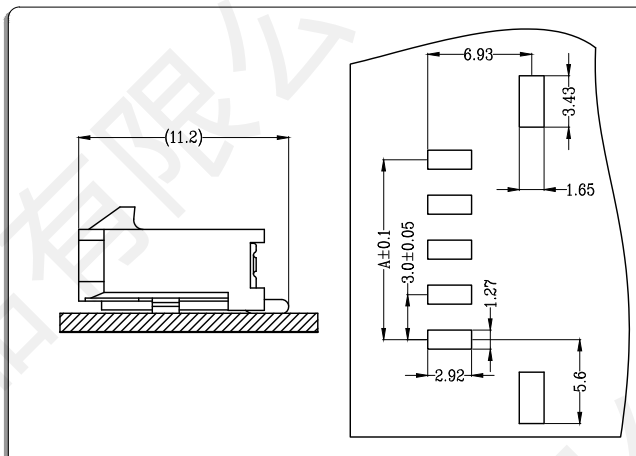
- 1、极数CKT: 2Pin to 12Pin
- 2、额定电流Current rating: 5A AC/DC
- 3、额定电压Voltage rating(max): 250V, AC/DC
- 4、工作温度Working Temperature: -25℃~+85℃, (含通电温度上升值)
(Including temperature rise in applying electrical current)
- 5、接触电阻Contact resistance: 初始Initial value $\leq 20m\Omega$
环境测试后After environmental testing $\leq 30m\Omega$
- 6、绝缘电阻Insulation resistance: $\geq 1000M\Omega$
- 7、耐电压Withstand voltage: 1500VAC (rms)
- 8、适用线规 Applicable wire: AWG #24 to #20
- 9、适用基板厚度Applicable PC board thickness: 1.6mm to 2.0mm

● 安装尺寸 Mounting Measurement

● 立式 Straight Angle



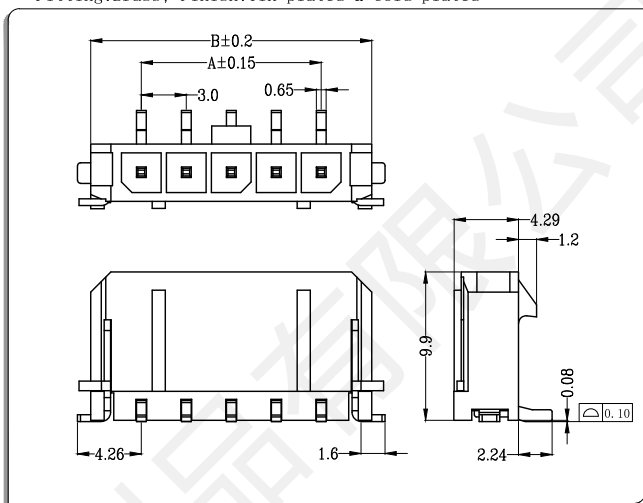
● 卧式 Right Angle



WT5557 (43640&43645) Connector 3.0mm Pitch

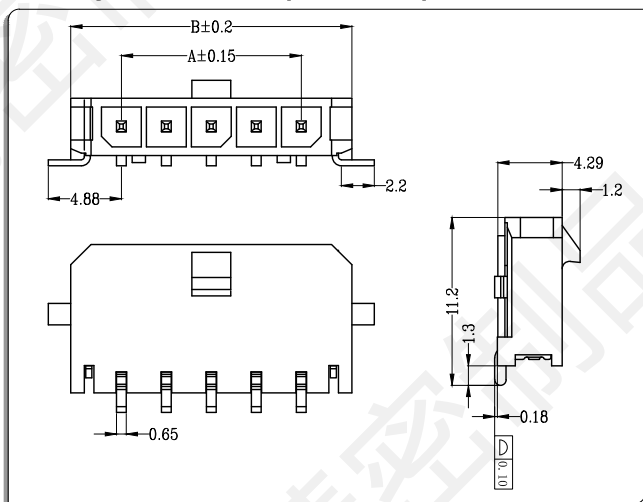
● 针座 Wafer

● 材料与表面处理 Material and Finish:
 Housing:LCP UL94V-0 & Terminal:Brass &
 Fitting:Brass; Finish:Tin-plated & Gold-plated



CKT	Part No	DIM A	DIM B
2	WT5557L-02	3.00	9.75
3	WT5557L-03	6.00	12.75
4	WT5557L-04	9.00	15.75
5	WT5557L-05	12.00	18.75
6	WT5557L-06	15.00	21.75
7	WT5557L-07	18.00	24.75
8	WT5557L-08	21.00	27.75
9	WT5557L-09	24.00	30.75
10	WT5557L-10	27.00	33.75
11	WT5557L-11	30.00	36.75
12	WT5557L-12	33.00	39.75

● 材料与表面处理 Material and Finish:
 Housing:LCP UL94V-0 & Terminal:Brass &
 Fitting:Brass; Finish:Tin-plated & Gold-plated



CKT	Part No	DIM A	DIM B
2	WT5557W-02	3.00	9.75
3	WT5557W-03	6.00	12.75
4	WT5557W-04	9.00	15.75
5	WT5557W-05	12.00	18.75
6	WT5557W-06	15.00	21.75
7	WT5557W-07	18.00	24.75
8	WT5557W-08	21.00	27.75
9	WT5557W-09	24.00	30.75
10	WT5557W-10	27.00	33.75
11	WT5557W-11	30.00	36.75
12	WT5557W-12	33.00	39.75

WTB
3.0

WT5557 (43640&43645) Connector 3.0mm Pitch