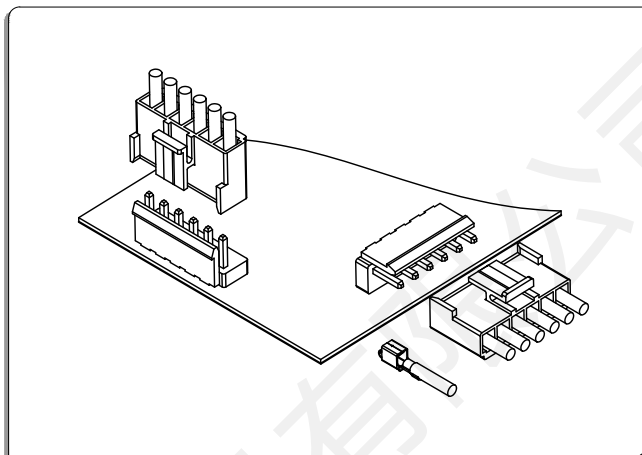


WT396V (VH) Connector 3.96mm Pitch

WTB
3.96

WT396V (VH) Connector 3.96mm Pitch

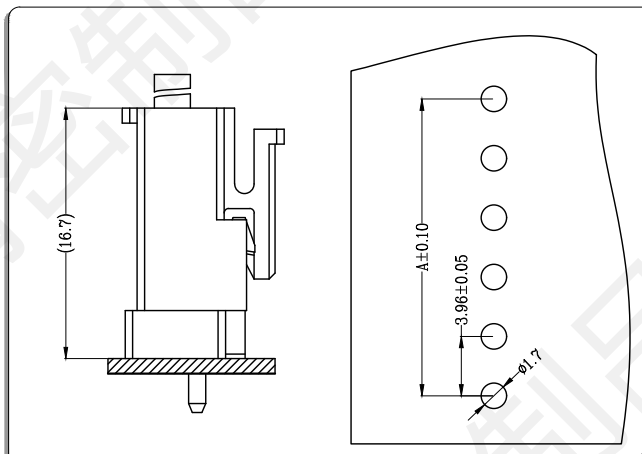


● 技术参数 SPECIFICATIONS

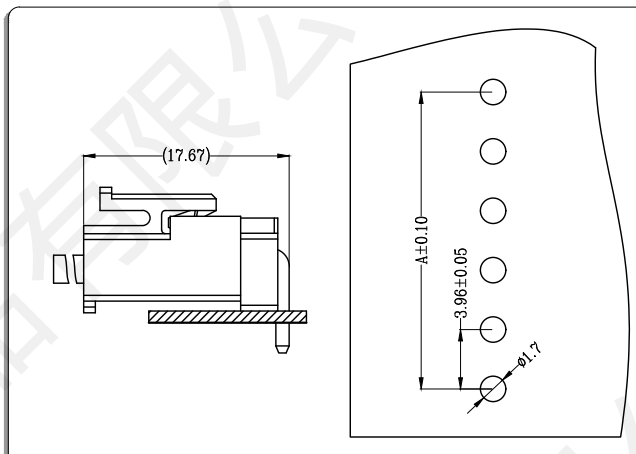
- 1、极数CKT: 2Pin to 16Pin
- 2、额定电流Current rating: 7A AC/DC
- 3、额定电压Voltage rating(max): 250V, AC/DC
- 4、工作温度Working Temperature: -25℃~+85℃, (含通电温度上升值)
(Including temperature rise in applying electrical current)
- 5、接触电阻Contact resistance: 初始Initial value $\leq 20\text{m}\Omega$
环境测试后After environmental testing $\leq 30\text{m}\Omega$
- 6、绝缘电阻Insulation resistance: $\geq 1000\text{M}\Omega$
- 7、耐电压Withstand voltage: 1500VAC (rms)
- 8、适用线规 Applicable wire: AWG #22 to #16
- 9、适用基板厚度Applicable PC board thickness: 1.6mm to 2.0mm

● 安装尺寸 Mounting Measurement

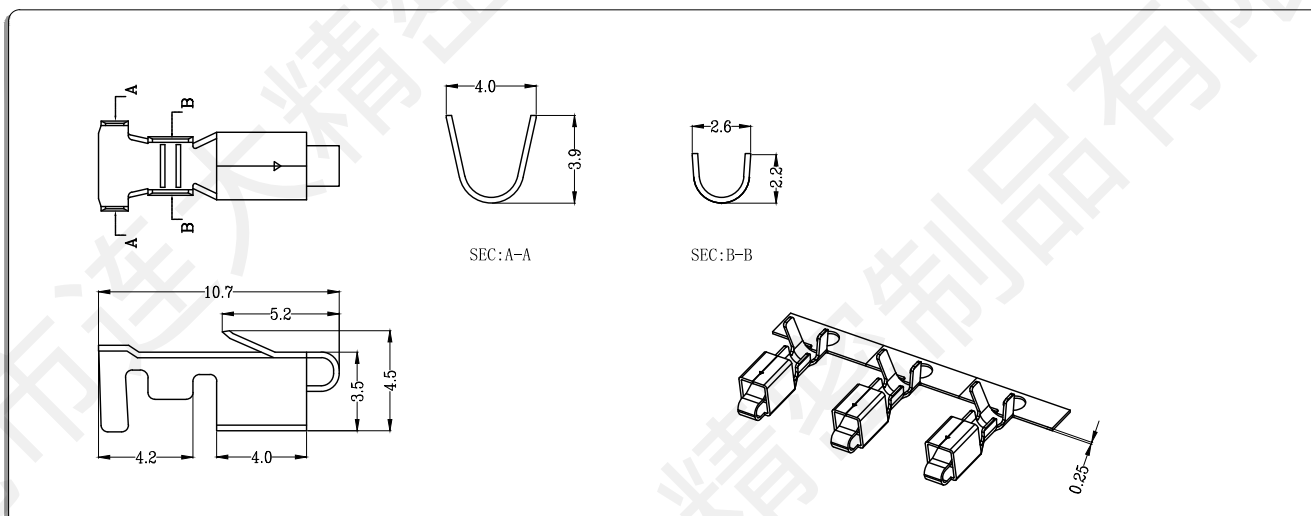
● 立式 Straight Angle



● 卧式 Right Angle



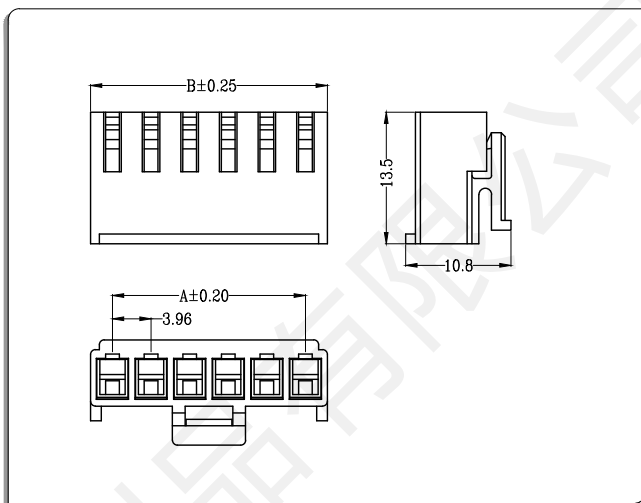
● 端子Terminal: T=0.25mm



Part No.	Wire Range	Insulation O.D	Material	Finish
WT396V0-T0	AWG#22~#16	3.00mm MAX	phosphor bronze	Tin & Gold-plated

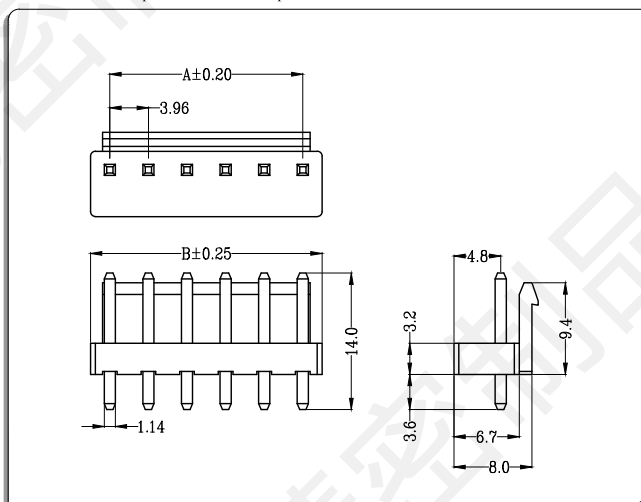
WT396V (VH) Connector 3.96mm Pitch

- 公头胶壳 Housing
- 材料Material: Nylon 66 UL94V-0



CKT	Part No	DIM A	DIM B
2	WT396V0-02	3.96	8.46
3	WT396V0-03	7.92	12.42
4	WT396V0-04	11.88	16.38
5	WT396V0-05	15.84	20.34
6	WT396V0-06	19.80	24.30
7	WT396V0-07	23.76	28.26
8	WT396V0-08	27.72	32.22
9	WT396V0-09	31.68	36.18
10	WT396V0-10	35.64	40.14
11	WT396V0-11	39.60	44.10
12	WT396V0-12	43.56	48.06
—	— — —	— —	— —
16	WT396V0-16	59.40	63.90

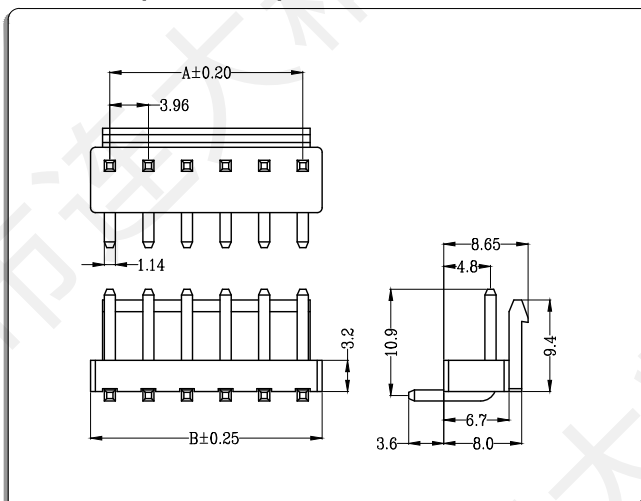
- 材料与表面处理 Material and Finish:
Housing:Nylon 66 UL94V-0 & Terminal:Brass
Finish:Tin-plated & Gold-plated



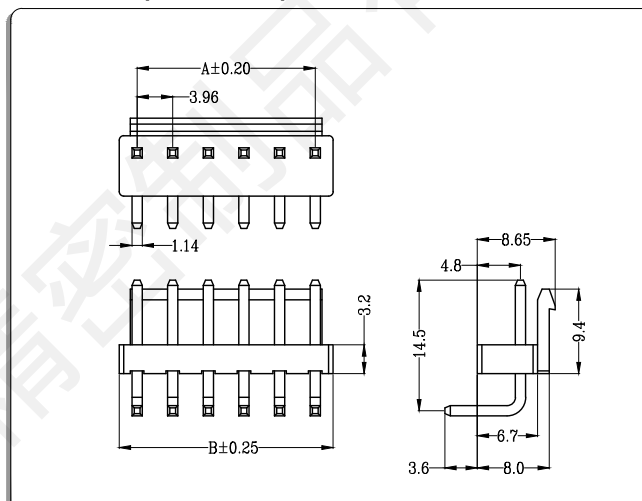
CKT	Part No	DIM A	DIM B
2	WT396VL-02	3.96	7.92
3	WT396VL-03	7.92	11.88
—	— — —	— —	— —
16	WT396VL-16	59.40	63.36

2	WT396VW-02	3.96	7.92
3	WT396VW-03	7.92	11.88
—	— — —	— —	— —
16	WT396VW-16	59.40	63.36

- 材料与表面处理 Material and Finish:
Housing:Nylon 66 UL94V-0 & Terminal:Brass
Finish:Tin-plated & Gold-plated



- 材料与表面处理 Material and Finish:
Housing:Nylon 66 UL94V-0 & Terminal:Brass
Finish:Tin-plated & Gold-plated



WTB
3.96

WT396V (VH) Connector 3.96mm Pitch