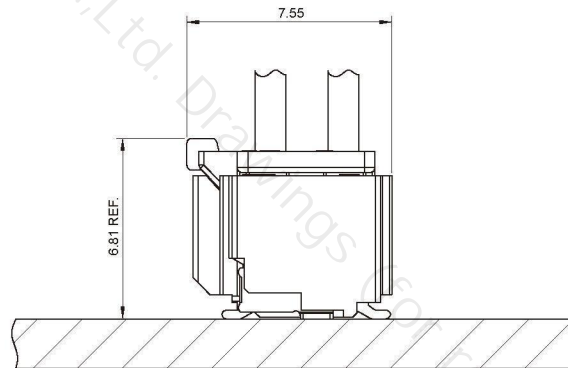


■ **Specifications**

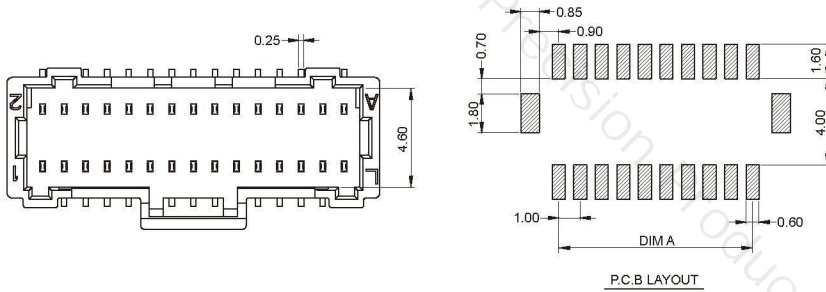
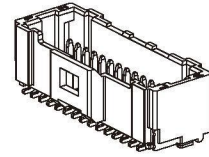
- Contact resistance:  $\leq 20\text{m}\Omega$
- Insulation resistance:  $\geq 100\text{M}\Omega$
- Rated voltage: 50V AC DC
- Rated current: 0.8A AC DC
- Withstand Voltage: 250V AC/minute
- Temperature Range:  $-25^{\circ}\text{C} \sim +85^{\circ}\text{C}$

■ **Assembly Layout**



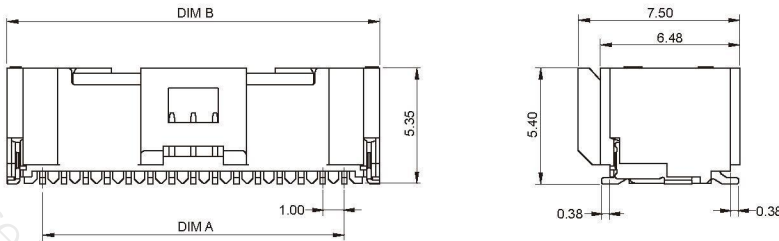
**A1008AWV** (1.00mm pitch 180°Wafer SMT TYPE)

- Reference Information:
- Material: Pin: Brass/Tin-plated
- SolderTabs: Phosphor Bronze /Gold Flash
- Wafer: PA9T,UL94V-0
- Mates with A1008 series Housing



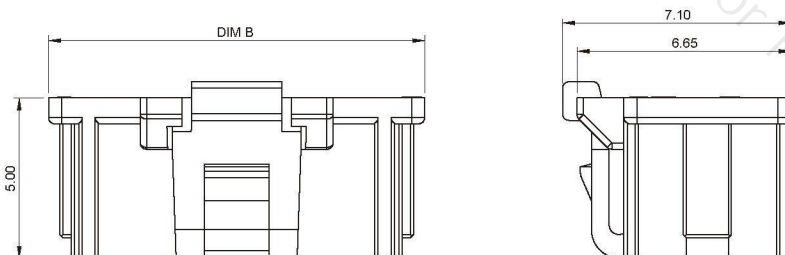
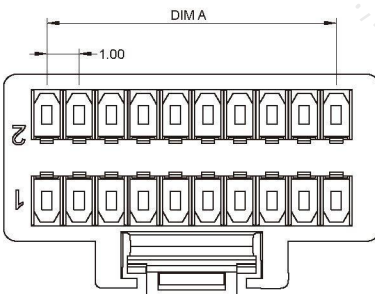
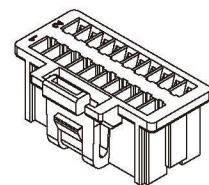
Ordering Information & Dimensions:

Circuit	Dimensions(mm)	
	A	B
2*10	9.00	12.30
2*15	14.00	17.30
2*20	19.00	22.30
2*25	24.00	27.30



**A1008Y** (1.00mm pitch Housing)

- Reference Information:
- Material: PA66,UL94V-0(2)
- Mates with A1008 series Wafer



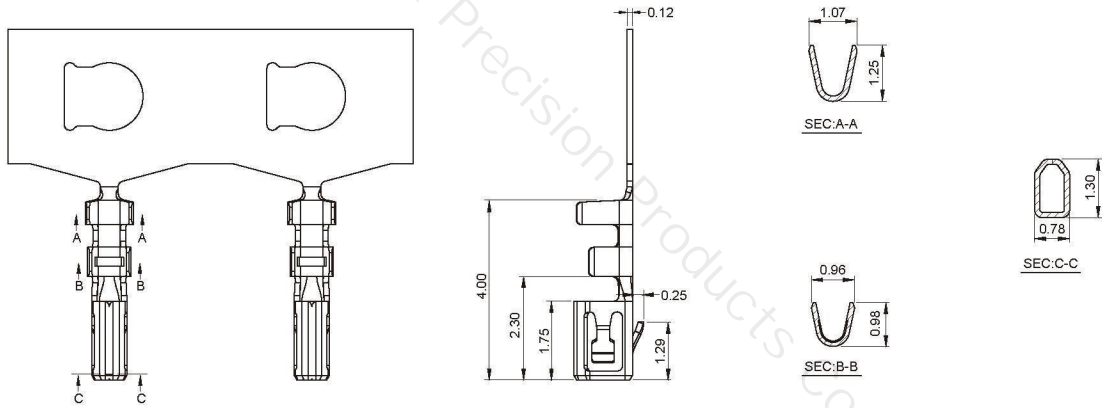
Ordering Information & Dimensions:

Circuit	Dimensions(mm)	
	A	B
2*10	9.00	11.70
2*15	14.00	16.70
2*20	19.00	21.70
2*25	24.00	26.70

WIRE TO BOARD  
BOARD TO BOARD  
WIRE TO WIRE  
FPC SERIES  
THRU SERIES  
LIGHTING SERIES  
OTHER SERIES

**A1008T** (1.00mm pitch Terminal)

- Reference Information:  
Used in A1008 series Housing



**Ordering Information & Dimensions:**

Part No	Wire Range	Insulation O.D.	Material	Finish	Qty/Reel
A1008T	AWG #28 ~ #32	0.80mm(max)	Phosphor bronze	Gold-flash	15000PCS