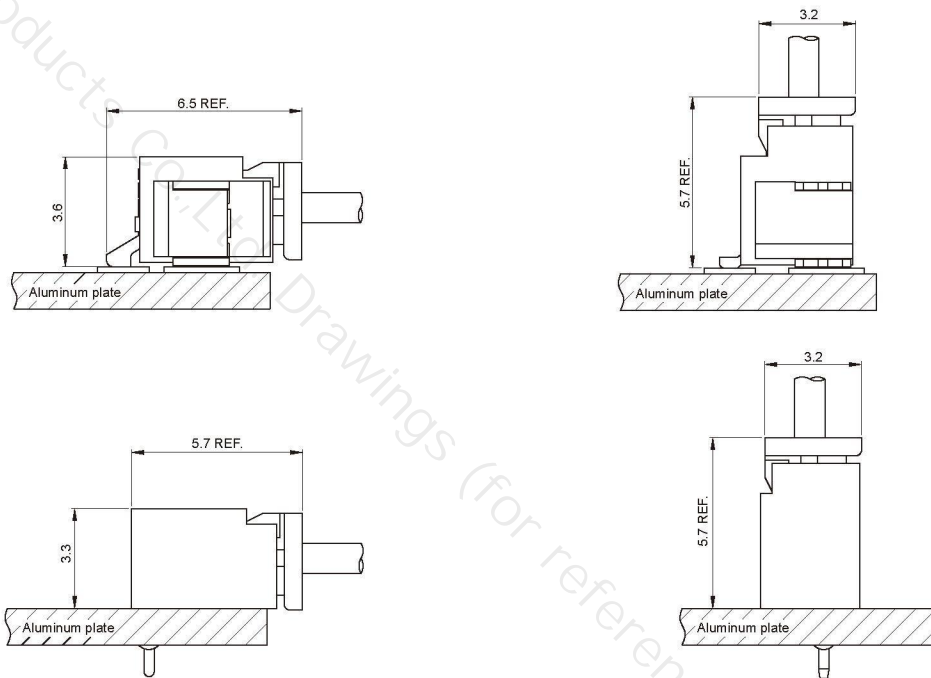


**Specifications**

- Contact resistance:  $\leq 20m\Omega$
- Insulation resistance:  $\geq 100M\Omega$
- Rated voltage: 125V AC DC
- Rated current: 1.0A AC DC
- Withstand voltage: 500V AC/minute
- Temperature range:  $-25^{\circ}C \sim +85^{\circ}C$

**Assembly Layout**

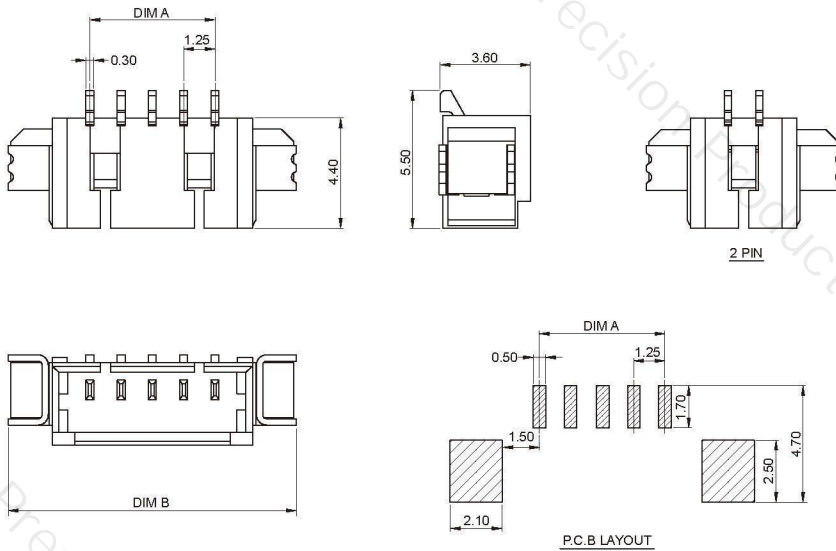
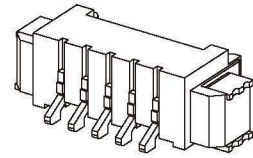


# A1251 SERIES

1.25mm pitch wire to board connector

## A1251AWR (1.25mm pitch 90°Wafer SMT TYPE)

- Reference Information:
  - Material: Pin: Phosphor Bronze/Tin-plated
  - Solder Tabs: Brass/Tin-plated
  - Wafer: LCP,UL94V-0
  - Mates with A1251 series Housing

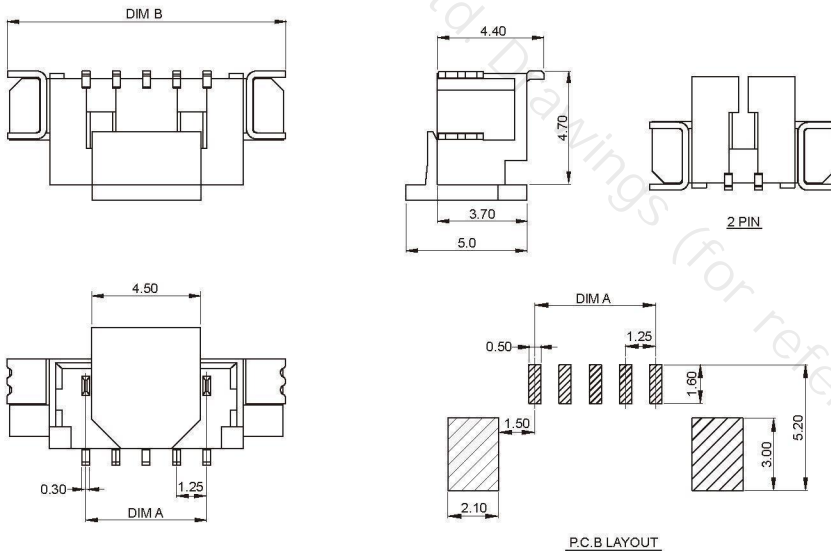
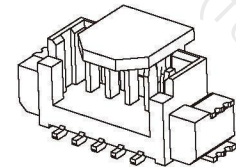


### Ordering Information & Dimensions:

Circuit	Dimensions(mm)	
	A	B
02	1.25	7.75
03	2.50	9.00
04	3.75	10.25
05	5.00	11.50
06	6.25	12.75
07	7.50	14.00
08	8.75	15.25
09	10.00	16.50
10	11.25	17.75
11	12.50	19.00
12	13.75	20.25
13	15.00	21.50
14	16.25	22.75
15	17.50	24.00
16	18.75	25.25

## A1251AWV (1.25mm pitch 180°Wafer SMT TYPE)

- Reference Information:
  - Material: Pin: Phosphor Bronze/Tin-plated
  - Solder Tabs: Brass/Tin-plated
  - Wafer: LCP,UL94V-0
  - Mates with A1251 series Housing



### Ordering Information & Dimensions:

Circuit	Dimensions(mm)	
	A	B
02	1.25	7.75
03	2.50	9.00
04	3.75	10.25
05	5.00	11.50
06	6.25	12.75
07	7.50	14.00
08	8.75	15.25
09	10.00	16.50
10	11.25	17.75
11	12.50	19.00
12	13.75	20.25
13	15.00	21.50
14	16.25	22.75
15	17.50	24.00
16	18.75	25.25

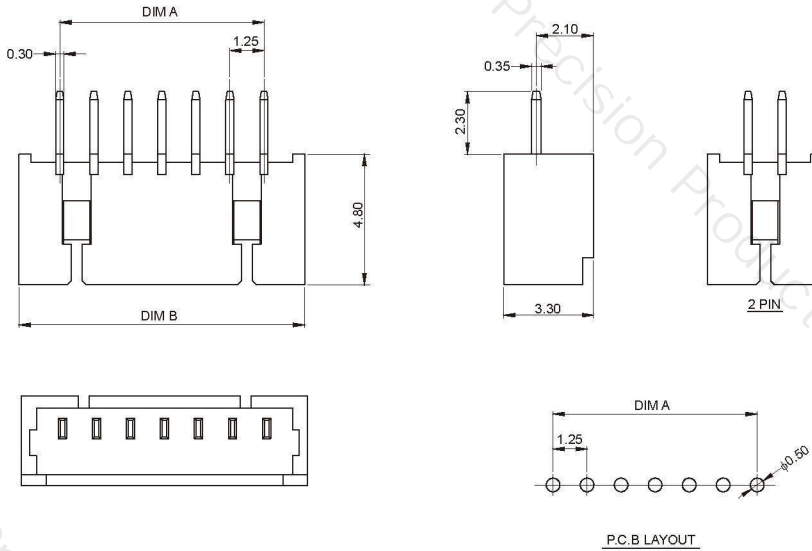
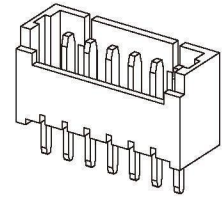
### A1251A (1.25mm pitch 180°Wafer DIP TYPE)

■ Reference Information:

Material: Pin: Brass or Phosphor Bronze/Tin-plated

Wafer: PA46/LCP,UL94V-0

Mates with A1251 series Housing



Ordering Information & Dimensions:

Circuit	Dimensions(mm)	
	A	B
02	1.25	4.25
03	2.50	5.50
04	3.75	6.75
05	5.00	8.00
06	6.25	9.25
07	7.50	10.50
08	8.75	11.75
09	10.00	13.00
10	11.25	14.25
11	12.50	15.50
12	13.75	16.75
13	15.00	18.00
14	16.25	19.25
15	17.50	20.50
16	18.75	21.75

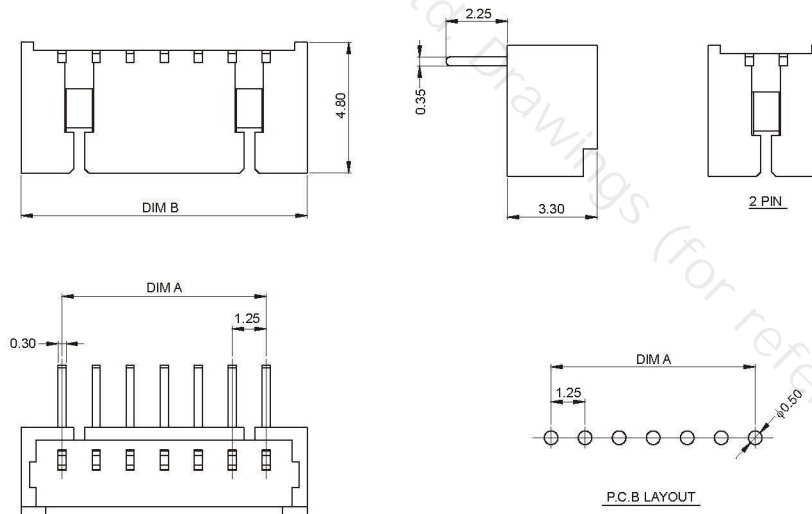
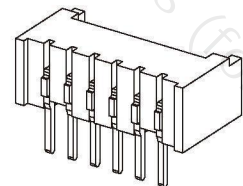
### A1251AW (1.25mm pitch 90°Wafer DIP TYPE)

■ Reference Information:

Material: Pin: Brass or Phosphor Bronze/Tin-plated

Wafer: PA46/LCP,UL94V-0

Mates with A1251 series Housing



Ordering Information & Dimensions:

Circuit	Dimensions(mm)	
	A	B
02	1.25	4.25
03	2.50	5.50
04	3.75	6.75
05	5.00	8.00
06	6.25	9.25
07	7.50	10.50
08	8.75	11.75
09	10.00	13.00
10	11.25	14.25
11	12.50	15.50
12	13.75	16.75
13	15.00	18.00
14	16.25	19.25
15	17.50	20.50
16	18.75	21.75

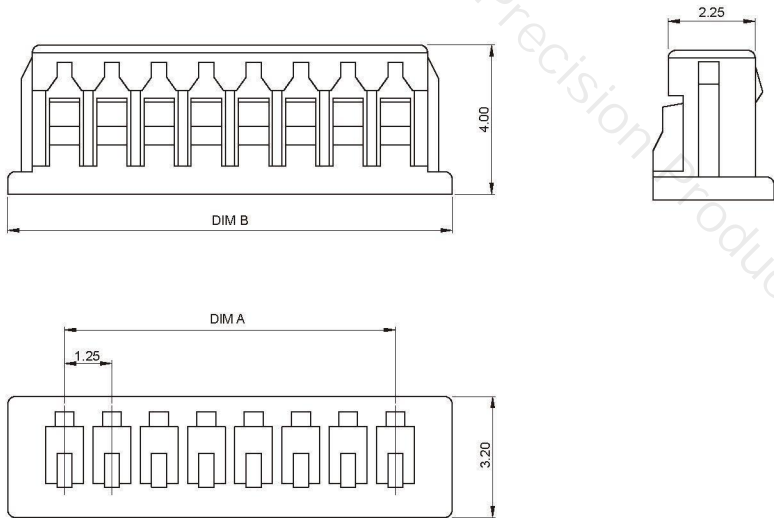
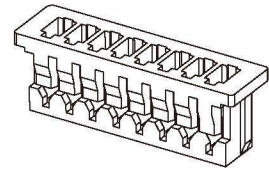
## A1251Y (1.25mm pitch Housing)

■ Reference Information:

Material: PA66, UL94V-0(2)

Suitable A1251 series terminal

Mates with A1251 series Wafer



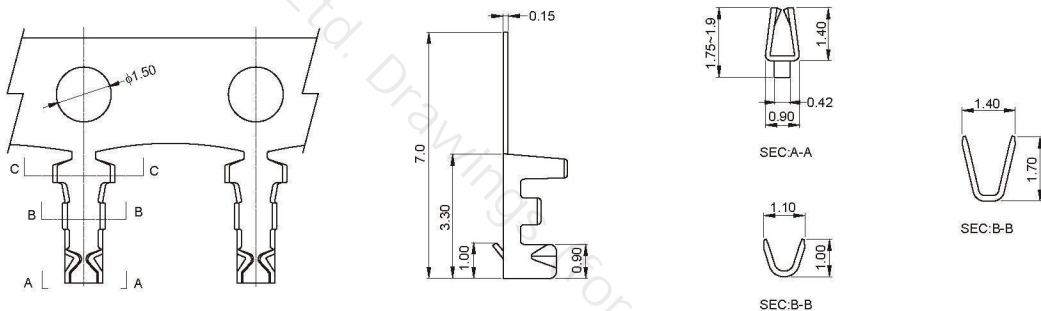
Ordering Information & Dimensions:

Circuit	Dimensions(mm)	
	A	B
02	1.25	4.25
03	2.50	5.50
04	3.75	6.75
05	5.00	8.00
06	6.25	9.25
07	7.50	10.50
08	8.75	11.75
09	10.00	13.00
10	11.25	14.25
11	12.50	15.50
12	13.75	16.75
13	15.00	18.00
14	16.25	19.25
15	17.50	20.50
16	18.75	21.75

## A1251T (1.25mm pitch Terminal)

■ Reference Information:

Used in A1251 series Housing



Ordering Information & Dimensions:

Part No	Wire Range	Insulation O.D.	Material	Finish	Qty/Reel
A1251T	AWG #28~#32	1.00mm(max)	Phosphor bronze	Tin-plated	20000PCS