

NOTES:

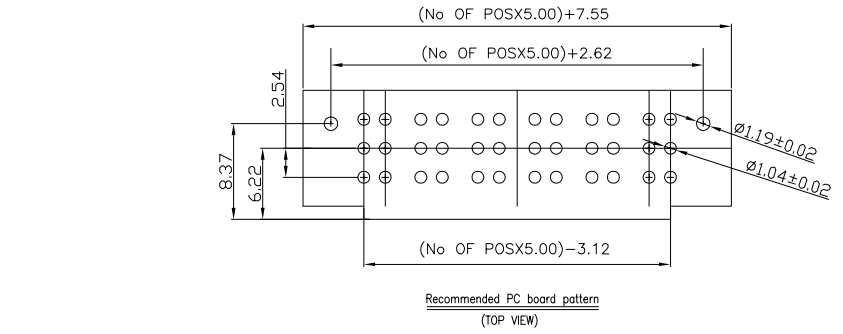
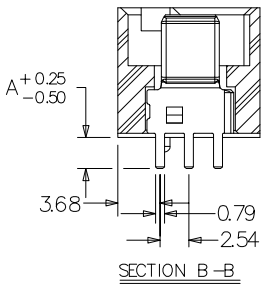
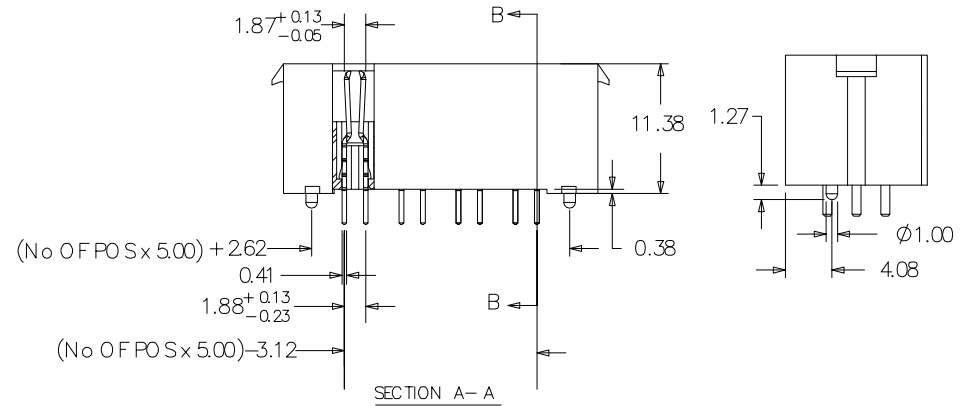
- MATERIAL:  
 1.HOUSING:THERMO-PLASTIC. UL 94V-0 NATURE  
 2.CONTACT:PHOSPHOR BRONZE  
 CONTACT:SEE ORDER INF ORMATION;  
 SOLDER:10μ" GOLD IN CONTACT AREA, MATTE TIN ON TAIL  
 3.LOCKING CLIP:  
 MATTE TIN CONTACT AND TAIL

ELECTRICAL:

- 1.CURRENT RATING:23A-58.7 PER POWER BLADE  
 2.WITHSTANDING VOLTAGE:250V AC for 1 min  
 3.CONTACT RESISTANCE:30mΩ MAX  
 4.INSULATION RESISTANCE:1000MΩ MIN

ENVIRONMENTAL:

1. OPERATING TEMPERATURE:-55°C TO +125°C.



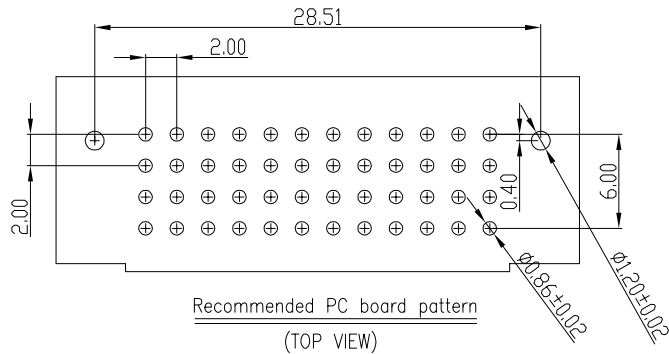
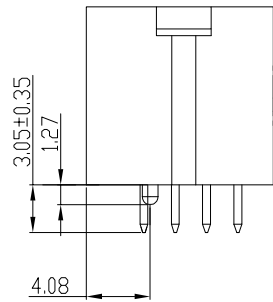
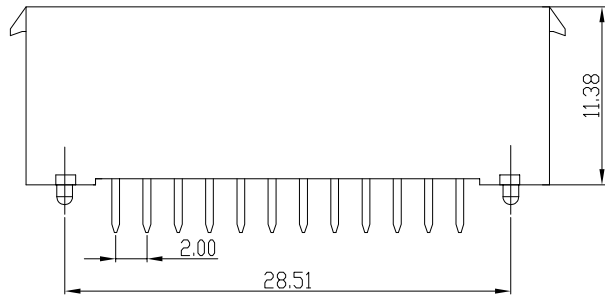
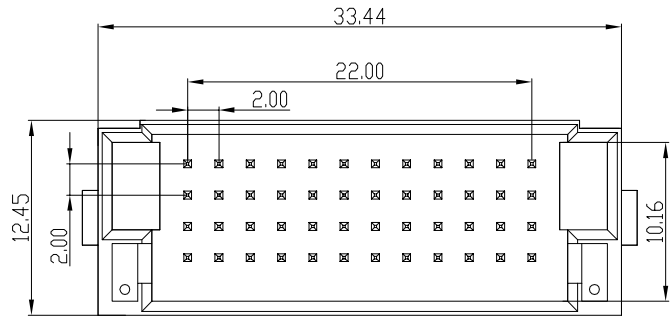
STYLE	A
1	2.72
2	3.51



A0	NEW EDITION	East_Zhou	2022.03.03
修订 SER	修改摘要 REVISION DESCRIPTION	签名 SIGNATURE	日期 DATE

一般公差 GENERAL TOLERANCE	EAST_ZHOU
.xx ±0.30	制图 (DR): 2022.03.03
.xxx ±0.13	品名(TITLE): VERTICAL POWER PLUG
.xxx ±0.05	审核 (CHKD):
ANGLES ±2°	料号(PART NO): LMPT05*-*-BOT
版本 A (REV)	比例(SCALE) 单位(UNITS) 张数(SHEET) 图幅(SIZE)
	1:1 mm 1 OF 1 A4
	核准 (APPD):

比例(SCALE)	单位(UNITS)	张数(SHEET)	图幅(SIZE)
1:1	mm	1 OF 1	A4



Recommended PC board pattern  
(TOP VIEW)

NOTES:

MATERIAL:

- 1.HOUSING:THERMO-PLASTIC. UL 94V-0 NATURE
- 2.CONTACT:PHOSPHOR BRONZE  
CONTACT:SEE ORDER INF ORMATION;  
SOLDER:10μ" GOLD IN CONTACT AREA, MATTE TIN ON TAIL
- 3.LOCKING CLIP:  
MATTE TIN CONTACT AND TAIL

ELECTRICAL:

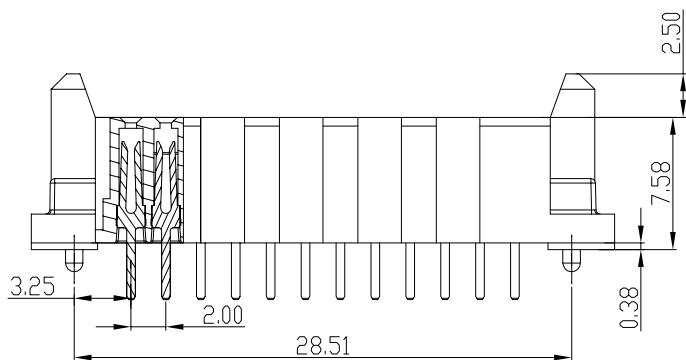
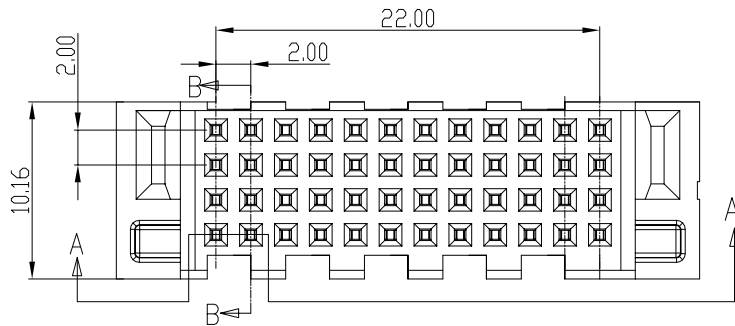
- 1.CURRENT RATING:30A
- 2.WITHSTANDING VOLTAGE:250V AC for 1 min
- 3.CONTACT RESISTANCE:30mΩ MAX
- 4.INSULATION RESISTANCE:1000MΩ MIN

ENVIRONMENTAL:

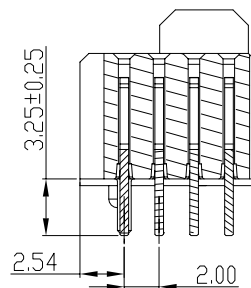
1. OPERATING TEMPERATURE:-55°C TO +125°C.



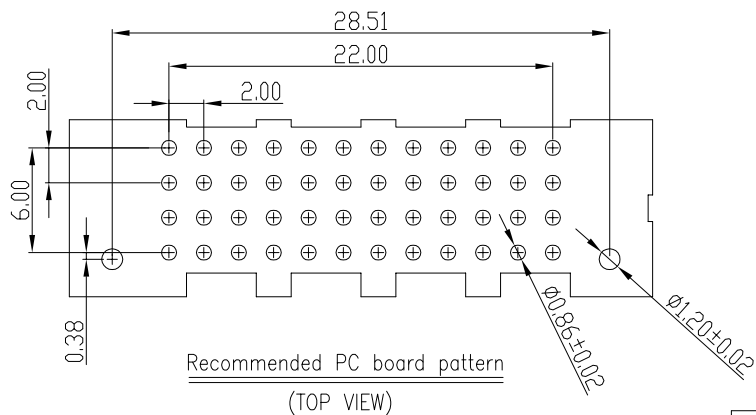
				一般公差 GENERAL TOLERANCE		EAST_ZHOU		品名(TITLE): VERTICAL POWER PLUG			
				.XX ±0.30		制图 (DR): 2022.03.03					
				.XXX ±0.13		审核 (CHKD):		料号(PART NO): LMPTC51-F0480-BOL			
				ANGLES ±2°		版本 A		比例(SCALE) 单位(UNITS) 张数(SHEET) 图幅(SIZE)			
A0	NEW EDITION	East_Zhou	2022.03.03	(REV)	⊕	核准 (APPD):	1:1	mm	1 OF 1	A4	
修订 SER	修改摘要 REVISION DESCRIPTION	签名 SIGNATURE	日期 DATE								



SECTION A-A



SECTION B-B



Recommended PC board pattern  
(TOP VIEW)

NOTES:

MATERIAL:

1. HOUSING: THERMO-PLASTIC. UL 94V-0 NATURE
2. CONTACT: PHOSPHOR BRONZE  
CONTACT: SEE ORDER INFORMATION;  
SOLDER: 10 $\mu$ " GOLD IN CONTACT AREA, MATTE TIN ON TAIL
3. LOCKING CLIP:  
MATTE TIN CONTACT AND TAIL

ELECTRICAL:

1. CURRENT RATING: 30A
2. WITHSTANDING VOLTAGE: 250V AC for 1 min
3. CONTACT RESISTANCE: 30m $\Omega$  MAX
4. INSULATION RESISTANCE: 1000M $\Omega$  MIN

ENVIRONMENTAL:

1. OPERATING TEMPERATURE: -55°C TO +125°C.



修订 SER	修改摘要 REVISION DESCRIPTION	签名 SIGNATURE	日期 DATE

版本 (REV)	一般公差 GENERAL TOLERANCE
A	.X ±0.30
	.XX ±0.13
	.XXX ±0.05
	ANGLES ±2°

制图 (DR):	EAST_ZHOU 2022.03.03
审核 (CHKD):	TONG 2022.03.03

品名 (TITLE):	VERTICAL MINI POWER SOCKET			
料号 (PART NO):	LMPSC51-F0480-BOT			
比例 (SCALE):	1:1	单位 (UNITS):	mm	张数 (SHEET):
核准 (APPD):	1 OF 1	图幅 (SIZE):	A4	