

RECOMMENDED PCB LAYOUT
TOLERANCE: ±0.05

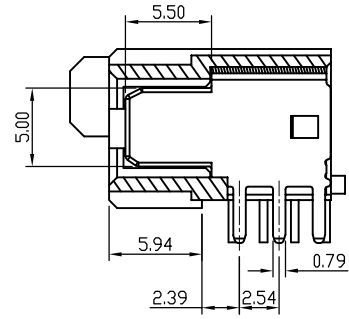


FIG 1
LPSC05X-X1241-B0R SHOWN

P/N	DIM B	DIM C	DIM D	DIM E	DIM F	DIM G	DIM H
LPSC05X-X1801-BxR	64.52	58.17	46.89	48.77	54.29	59.44	38.00
LPSC05X-X2802-BxR	74.52	68.17	56.89	58.77	64.29	69.44	38.00
LPSC05X-X1401-BxR	44.52	38.17	26.89	28.77	34.29	39.44	18.00
LPSC05X-X1241-BxR	36.52	30.17	18.89	20.77	26.29	31.44	10.00
LPSC05X-X2242-BxR	46.52	40.17	28.89	30.77	36.29	41.44	10.00
LPSC05X-X1161-BxR	32.52	26.17	14.89	16.77	22.29	27.44	6.00
LPSC05X-X2162-BxR	42.52	36.17	24.89	26.77	32.29	37.44	6.00
LPSC05X-X1081-BxR	23.25	22.17	10.89	12.77	18.29	23.44	2.00
LPSC05X-X1041-BxR	19.25	20.17	8.89	10.77	16.29	21.44	/
LPSC05X-X3240-BxR	42.25	36.17	/	/	32.29	37.44	10.00
LPSC05X-X4240-BxR	47.25	41.17	/	/	37.29	42.44	10.00
LPSC05X-X3200-BxR	40.25	34.17	/	/	30.29	35.44	8.00
LPSC05X-X4200-BxR	45.25	39.17	/	/	35.29	40.44	8.00
LPSC05X-X3160-BxR	38.25	32.17	/	/	28.29	33.44	6.00
LPSC05X-X4160-BxR	43.25	37.17	/	/	33.29	38.44	6.00
LPSC05X-X3120-BxR	36.25	30.17	/	/	26.29	31.44	4.00
LPSC05X-X4120-BxR	41.25	35.17	/	/	31.29	36.44	4.00

- NOTES:
 MATERIAL:
 1.HOUSING:THERMO-PLASTIC. UL 94V-0 NATURE
 2.CONTACT:PHOSPHOR BRONZE
 CONTACT:SEE ORDER INF ORMATION;
 SOLDER:10μ" GOLD IN CONTACT AREA, MATTE TIN ON TAIL
 3.LOCKING CLIP:
 MATTE TIN CONTACT AND TAIL

- ELECTRICAL:
 1.CURRENT RATING:23A-58.7 PER POWER BLADE
 2.WITHSTANDING VOLTAGE:600V AC for 1 min
 3.CONTACT RESISTANCE:30mΩ MAX
 4.INSULATION RESISTANCE:1000MΩ MIN



GENERAL TOLERANCE		EAST_ZHOU		RIGHT ANGLE POWER			
±0.30		制图 (DW): 2022.01.10		品名(TITLE): TERMINAL SOCKET CONN			
±0.13		审核 (CHKD):		料号(PART NO): LPSC05X-XXXXX-BXR			
±0.05		版本 A		比例(SCALE): 1:1		单位(UNITS): mm	
ANGLES ±2°		版次 (REV)		张数(SHEET): 1 OF 2		图幅(SIZE): A4	
A0	NEW EDITION	East_Zhou	2022.01.10				
修订	修改摘要	签名	日期				
SER	REVISION DESCRIPTION	SIGNATURE	DATE				

