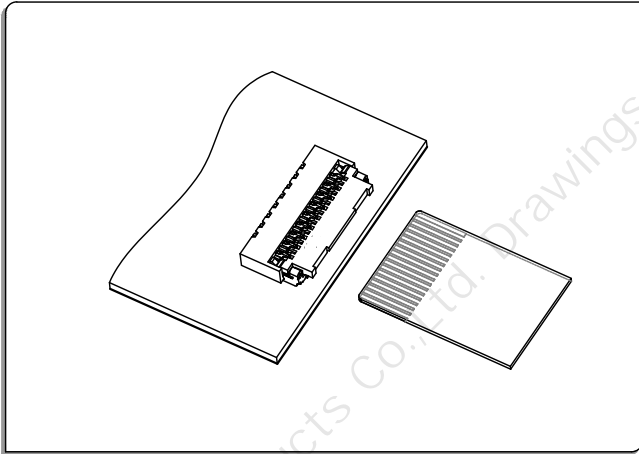


XW0310 Connector 0.3mm Pitch H1.0

FPC
0.3

XW0310 Connector 0.3mm Pitch

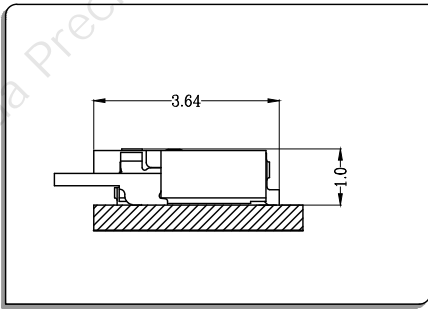


● 技术参数 SPECIFICATIONS

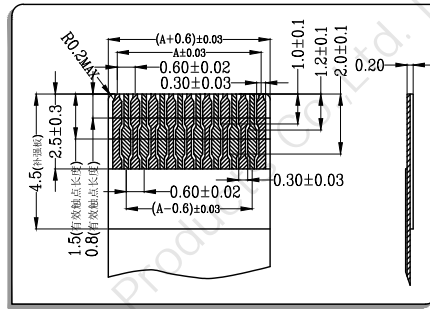
- 1、极数CKT: 13Pin to 71Pin
- 2、额定电流Current rating: 0.2A AC/DC
- 3、额定电压Voltage rating(max): 30V, AC/DC
- 4、工作温度Working Temperature: -25°C~+85°C, (含通电温度上升值)
(Including temperature rise in applying electrical current)
- 5、接触电阻Contact resistance: 初始Initial value $\leq 40m\Omega$
环境测试后After environmental testing $\leq 60m\Omega$
- 6、绝缘电阻Insulation resistance: $\geq 50M\Omega$
- 7、耐电压Withstand voltage: 500VAC(rms)
- 8、适用基板厚度Applicable PC board thickness: 1.6mm to 2.0mm

● 安装尺寸 Mounting Measurement

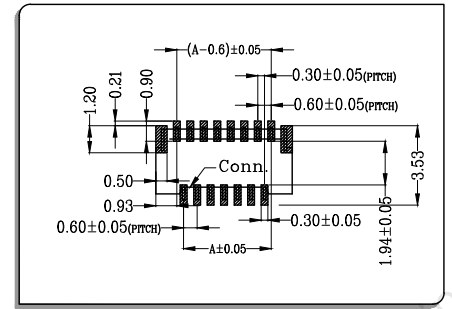
● Assembly Layout



● Applicable Flat Cable



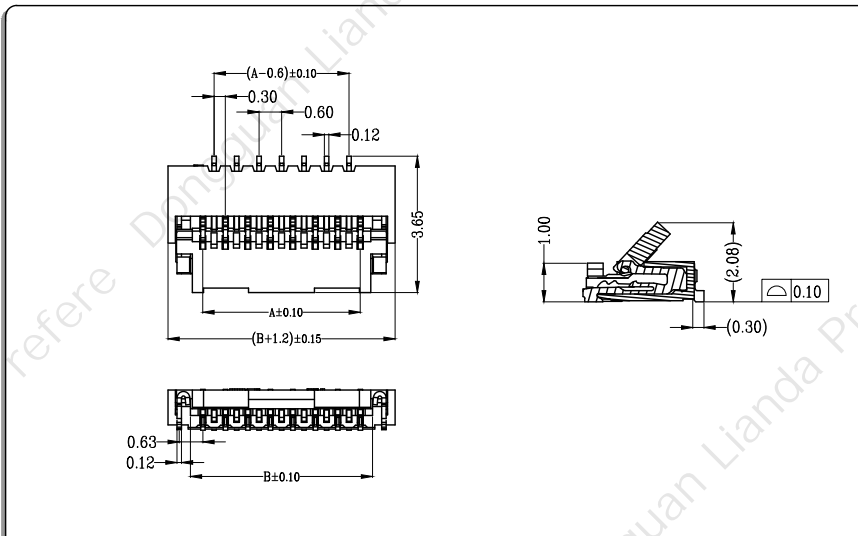
● P.C.B Layout



● 掀盖卧式 Easy-on R/A

● 材料与表面处理 Material and Finish:

Housing:LCP UL94V-0 & Terminal:phosphor bronze & Fitting:phosphor bronze; Finish:Tin-plated & Gold-plated



CKT	Part No.	DIM A	DIM B
13	XW03102-13	3.60	4.26
15	XW03102-15	4.20	4.86
17	XW03102-17	4.80	5.46
19	XW03102-19	5.40	6.06
21	XW03102-21	6.00	6.66
23	XW03102-23	6.60	7.26
25	XW03102-25	7.20	7.86
27	XW03102-27	7.80	8.46
29	XW03102-29	8.40	9.06
31	XW03102-31	9.00	9.66
33	XW03102-33	9.60	10.26
--	--	--	--
71	XW03102-71	21.00	21.66