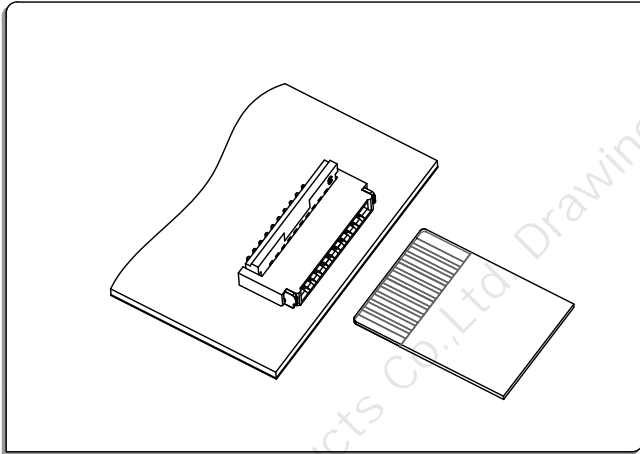


HW0510 Connector 0.5mm Pitch H1.0

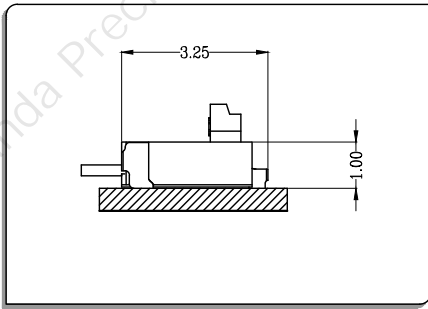


● 技术参数 SPECIFICATIONS

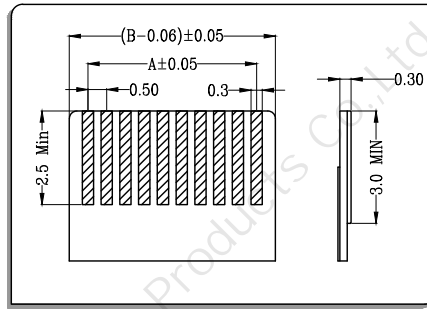
- 1、极数CKT: 4Pin to 40Pin
- 2、额定电流Current rating: 0.5A AC/DC
- 3、额定电压Voltage rating(max): 50V, AC/DC
- 4、工作温度Working Temperature: -25℃~+85℃,
(含通电温度上升值)
(Including temperature rise in applying electrical current)
- 5、接触电阻Contact resistance: 初始Initial value $\leq 30m\Omega$
环境测试后After environmental testing $\leq 100m\Omega$
- 6、绝缘电阻Insulation resistance: $\geq 500M\Omega$
- 7、耐电压Withstand voltage: 500VAC(rms)
- 8、适用基板厚度Applicable PC board thickness: 1.6mm to 2.0mm

● 安装尺寸 Mounting Measurement

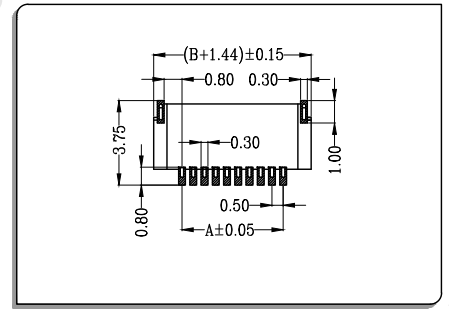
● Assembly Layout



● Applicable Flat Cable



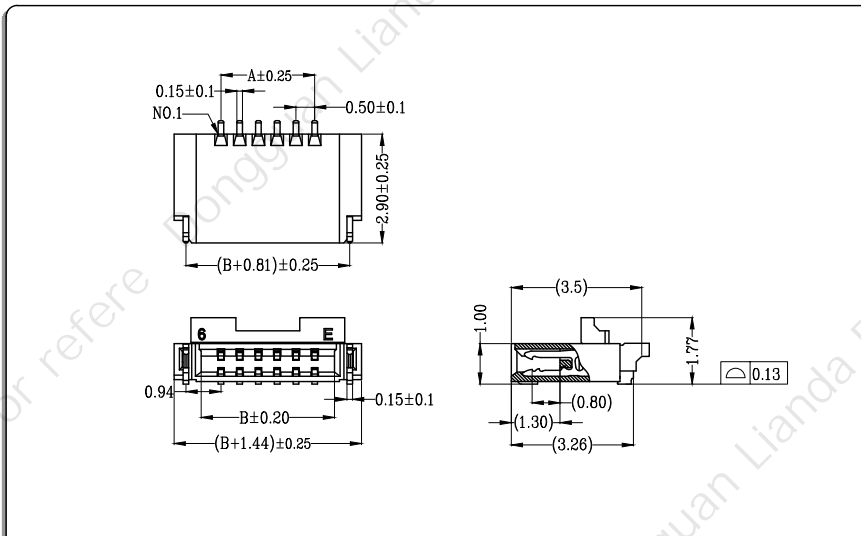
● P. C. B Layout



● 后压卧式 Back Flip R/A

● 材料与表面处理 Material and Finish:

Housing:LCP UL94V-0 & Terminal:phosphor bronze &
Fitting:phosphor bronze; Finish:Tin-plated & Gold-plated



CKT	Part No	DIM A	DIM B
4	HW05100-04	1.50	2.56
5	HW05100-05	2.00	3.06
6	HW05100-06	2.50	3.56
7	HW05100-07	3.00	4.06
8	HW05100-08	3.50	4.56
9	HW05100-09	4.00	5.06
10	HW05100-10	4.50	5.56
11	HW05100-11	5.00	6.06
12	HW05100-12	5.50	6.56
13	HW05100-13	6.00	7.05
14	HW05100-14	6.50	7.56
—	— —	—	—
40	HW05100-40	19.5	20.56