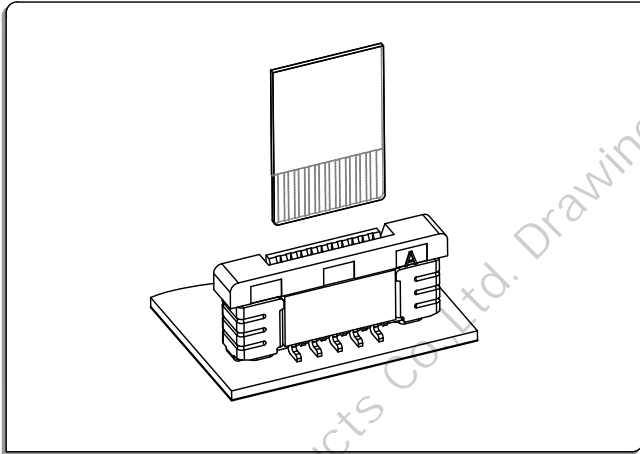


LL0545 Connector 0.5mm Pitch H4.5

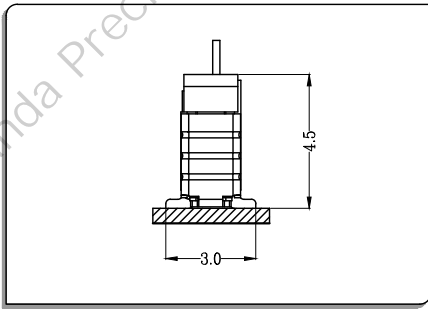


● 技术参数 SPECIFICATIONS

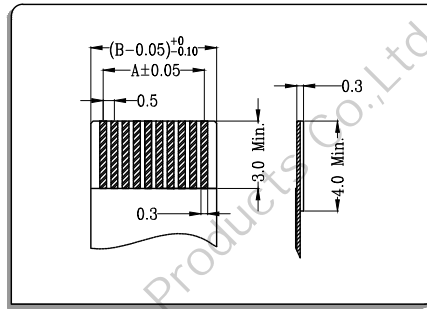
1. 极数CKT: 4Pin to 60Pin
2. 额定电流Current rating: 0.5A AC/DC
3. 额定电压Voltage rating(max): 50V, AC/DC
4. 工作温度Working Temperature: $-25^{\circ}\text{C} \sim +85^{\circ}\text{C}$,
(含通电温度上升值)
(Including temperature rise in applying electrical current)
5. 接触电阻Contact resistance: 初始Initial value $\leq 30\text{m}\Omega$
环境测试后After environmental testing $\leq 50\text{m}\Omega$
6. 绝缘电阻Insulation resistance: $\geq 500\text{M}\Omega$
7. 耐电压Withstand voltage: 500VAC(rms)
8. 适用基板厚度Applicable PC board thickness: 1.6mm to 2.0mm

● 安装尺寸 Mounting Measurement

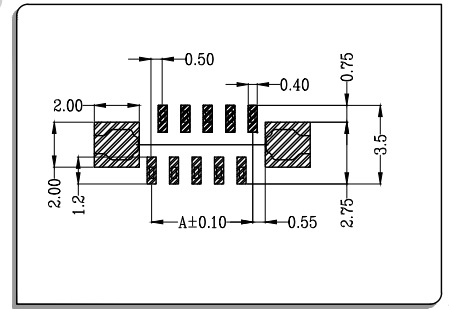
● Assembly Layout



● Applicable Flat Cable



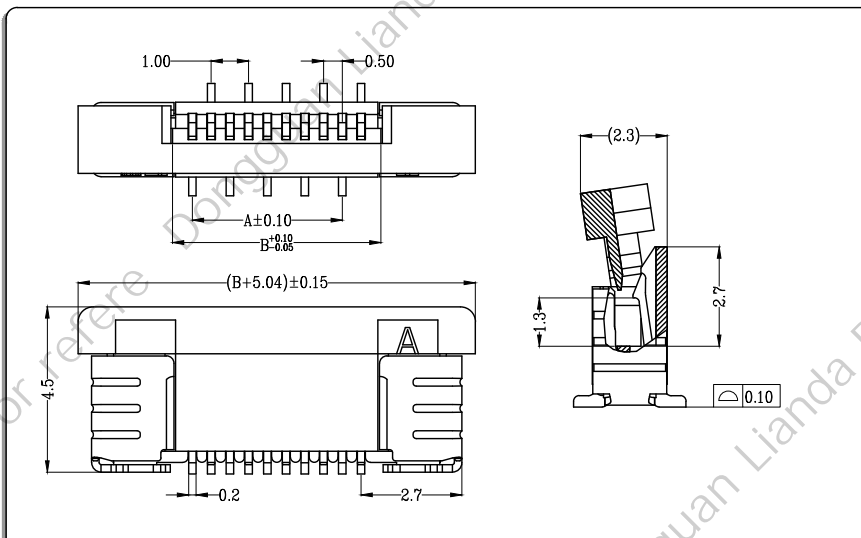
● P. C. B Layout



● 拉拔立式正脚(抽屉式) ZIF S/T Positive pointer

● 材料与表面处理 Material and Finish:

Housing:LCP UL94V-0 & Terminal:phosphor bronze &
Fitting:Brass; Finish:Tin-plated & Gold-plated

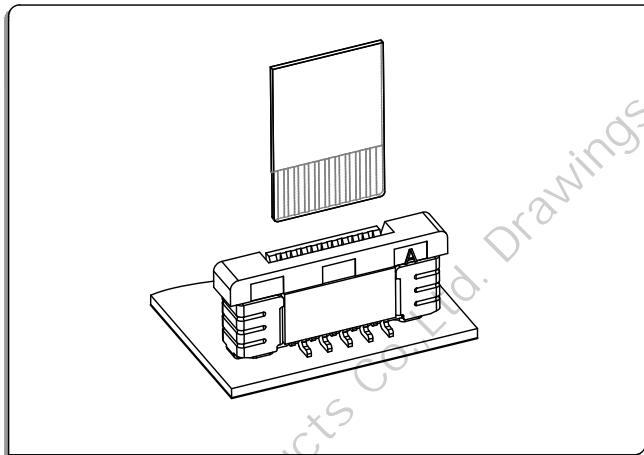


| CKT | Part No | DIM A | DIM B |
|-----|------------|-------|-------|
| 4 | LL05453-04 | 1.50 | 2.56 |
| 5 | LL05453-05 | 2.00 | 3.06 |
| 6 | LL05453-06 | 2.50 | 3.56 |
| 7 | LL05453-07 | 3.00 | 4.06 |
| 8 | LL05453-08 | 3.50 | 4.56 |
| 9 | LL05453-09 | 4.00 | 5.06 |
| 10 | LL05453-10 | 4.50 | 5.56 |
| 11 | LL05453-11 | 5.00 | 6.06 |
| 12 | LL05453-12 | 5.50 | 6.56 |
| 13 | LL05453-13 | 6.00 | 7.06 |
| 14 | LL05453-14 | 6.50 | 7.56 |
| — | — | — | — |
| 60 | LL05503-60 | 29.50 | 30.56 |

LL0545 Connector 0.5mm Pitch H4.5

FPC
0.5

LL0545 Connector 0.5mm Pitch

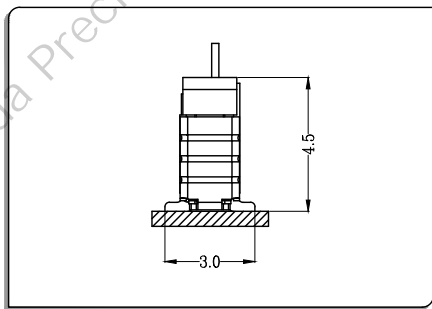


● 技术参数 SPECIFICATIONS

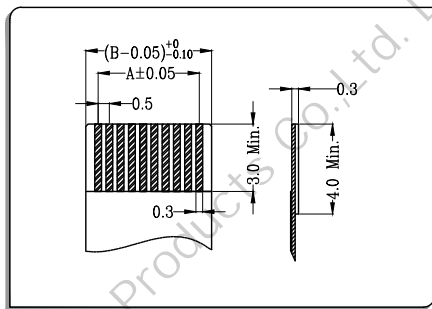
- 1、极数CKT: 4Pin to 60Pin
- 2、额定电流Current rating: 0.5A AC/DC
- 3、额定电压Voltage rating(max): 50V, AC/DC
- 4、工作温度Working Temperature: -25°C~+85°C, (含通电温度上升值)
(Including temperature rise in applying electrical current)
- 5、接触电阻Contact resistance: 初始Initial value $\leq 30\text{m}\Omega$
环境测试后After environmental testing $\leq 50\text{m}\Omega$
- 6、绝缘电阻Insulation resistance: $\geq 500\text{M}\Omega$
- 7、耐电压Withstand voltage: 500VAC(rms)
- 8、适用基板厚度Applicable PC board thickness: 1.6mm to 2.0mm

● 安装尺寸 Mounting Measurement

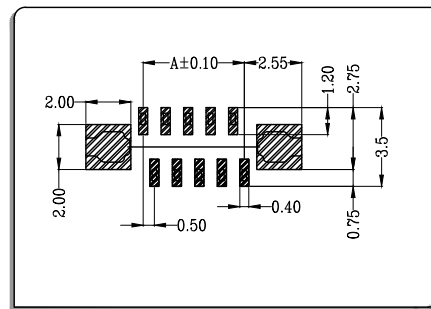
● Assembly Layout



● Applicable Flat Cable

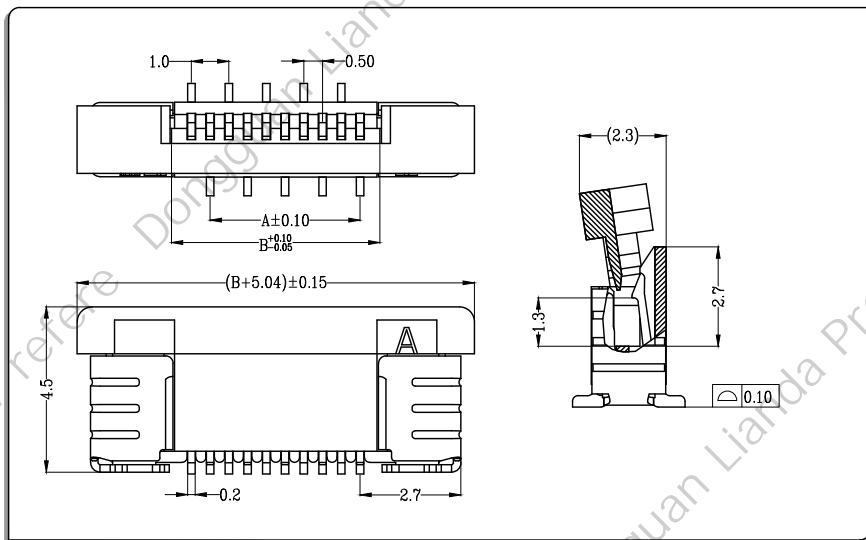


● P.C.B Layout



● 拉拔立式反脚(抽屉式) ZIF S/T Reversed pointer

- 材料与表面处理 Material and Finish:
Housing:LCP UL94V-0 & Terminal:phosphor bronze &
Fitting:Brass; Finish:Tin-plated & Gold-plated



| CKT | Part No | DIM A | DIM B |
|-----|------------|-------|-------|
| 4 | LL05454-04 | 1.50 | 2.56 |
| 5 | LL05454-05 | 2.00 | 3.06 |
| 6 | LL05454-06 | 2.50 | 3.56 |
| 7 | LL05454-07 | 3.00 | 4.06 |
| 8 | LL05454-08 | 3.50 | 4.56 |
| 9 | LL05454-09 | 4.00 | 5.06 |
| 10 | LL05454-10 | 4.50 | 5.56 |
| 11 | LL05454-11 | 5.00 | 6.06 |
| 12 | LL05454-12 | 5.50 | 6.56 |
| 13 | LL05454-13 | 6.00 | 7.06 |
| 14 | LL05454-14 | 6.50 | 7.56 |
| -- | -- -- | -- | -- |
| 60 | LL05504-60 | 29.50 | 30.56 |