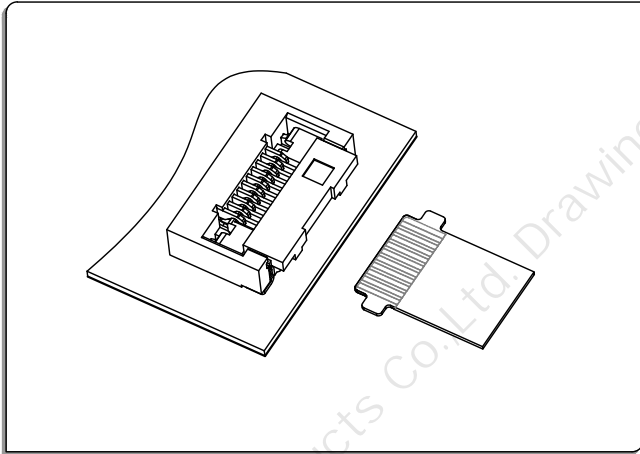


XW0525 Connector 0.5mm Pitch H2.55

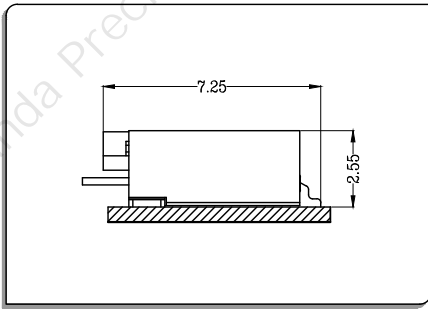


● 技术参数 SPECIFICATIONS

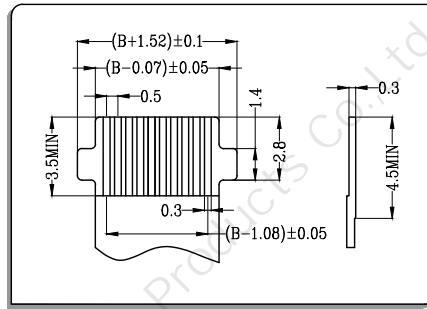
- 1、极数CKT: 5Pin to 80Pin
- 2、额定电流Current rating: 0.5A AC/DC
- 3、额定电压Voltage rating(max): 50V, AC/DC
- 4、工作温度Working Temperature: -25℃~+85℃, (含通电温度上升值)
(Including temperature rise in applying electrical current)
- 5、接触电阻Contact resistance:value $\leq 50m\Omega$
- 6、绝缘电阻Insulation resistance: $\geq 500M\Omega$
- 7、耐电压Withstand voltage: 150VAC(rms)
- 8、适用基板厚度Applicable PC board thickness: 1.6mm to 2.0mm

● 安装尺寸 Mounting Measurement

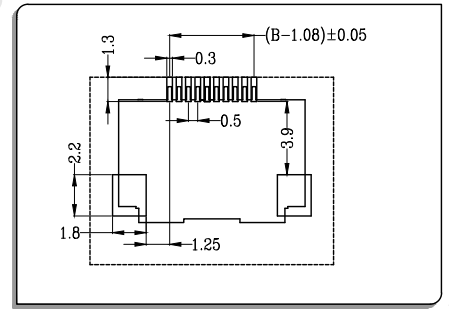
● Assembly Layout



● Applicable Flat Cable



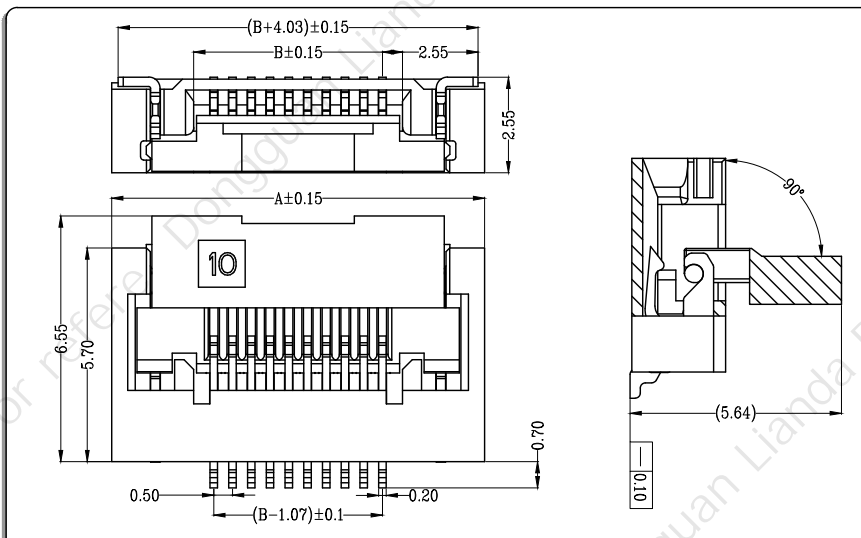
● P.C.B Layout



● 掀盖卧式(带扣) Easy-on R/A With Buckle

● 材料与表面处理 Material and Finish:

Housing:LCP UL94V-0 & Terminal:phosphor bronze & Fitting:Brass; Finish:Tin-plated & Gold-plated



CKT	Part No	DIM A	DIM B
5	XW05252-05	7.45	3.07
6	XW05252-06	7.95	3.57
7	XW05252-07	8.45	4.07
8	XW05252-08	8.95	4.57
9	XW05252-09	9.45	5.07
10	XW05252-10	9.95	5.57
11	XW05252-11	10.45	6.07
12	XW05252-12	10.95	6.57
13	XW05252-13	11.45	7.07
14	XW05252-14	11.95	7.57
15	XW05252-15	12.45	8.07
--	--	--	--
80	XW05252-80	44.95	40.57