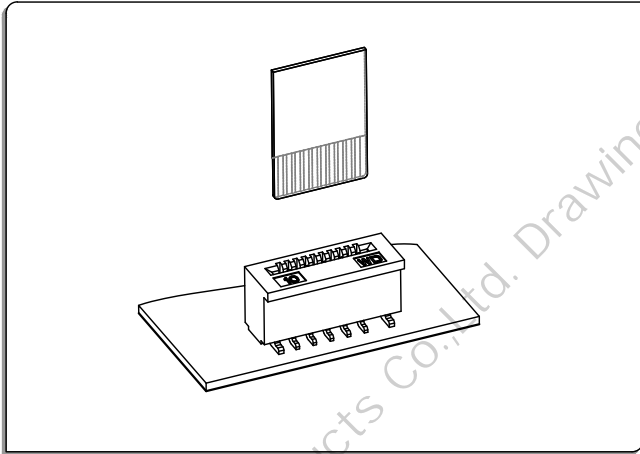


WL0540 Connector 0.5mm Pitch H4.0

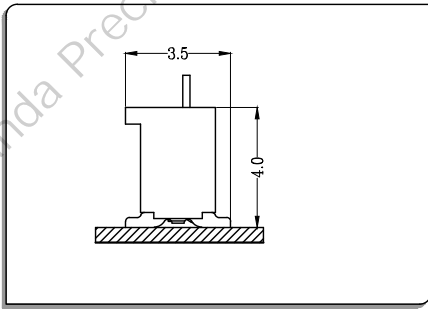


● 技术参数 SPECIFICATIONS

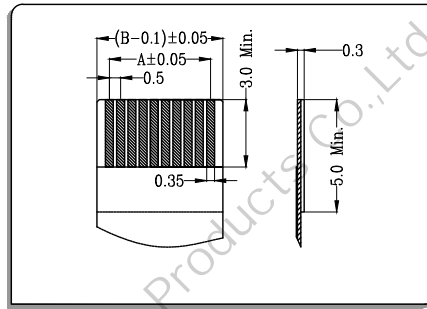
- 1、极数CKT: 4Pin to 60Pin
- 2、额定电流Current rating: 0.5A AC/DC
- 3、额定电压Voltage rating(max): 50V, AC/DC
- 4、工作温度Working Temperature: $-25^{\circ}\text{C} \sim +85^{\circ}\text{C}$,
(含通电温度上升值)
(Including temperature rise in applying electrical current)
- 5、接触电阻Contact resistance: 初始Initial value $\leq 30\text{m}\Omega$
环境测试后After environmental testing $\leq 60\text{m}\Omega$
- 6、绝缘电阻Insulation resistance: $\geq 500\text{M}\Omega$
- 7、耐电压Withstand voltage: 250VAC(rms)
- 8、适用基板厚度Applicable PC board thickness: 1.6mm to 2.0mm

● 安装尺寸 Mounting Measurement

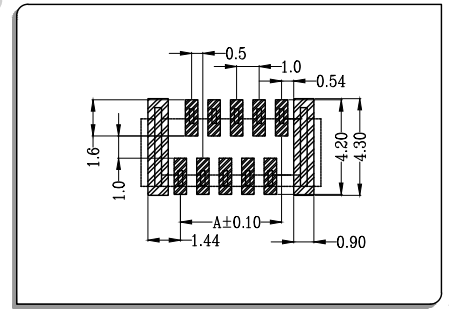
● Assembly Layout



● Applicable Flat Cable



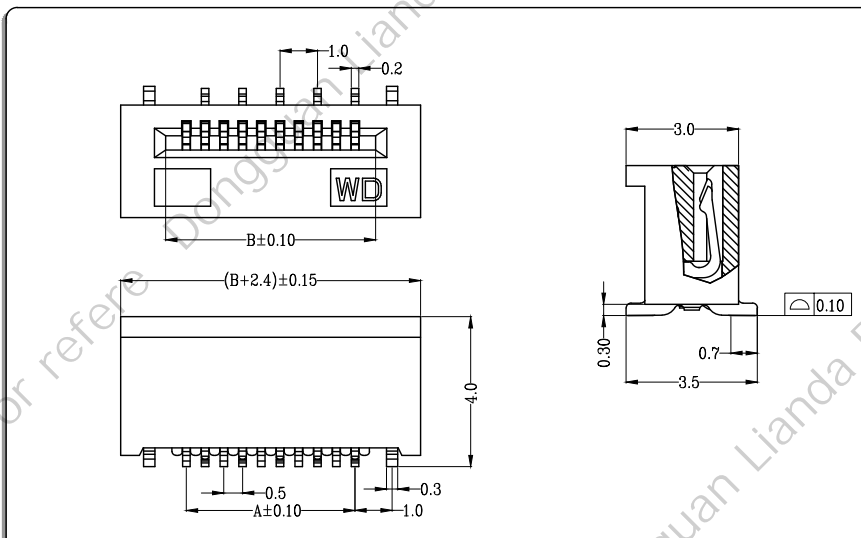
● P.C.B Layout



● 无盖立式(正脚) Non-ZIF S/T Positive pointer

● 材料与表面处理 Material and Finish:

Housing:LCP UL94V-0 & Terminal:phosphor bronze &
Fitting:Brass; Finish:Tin-plated & Gold-plated

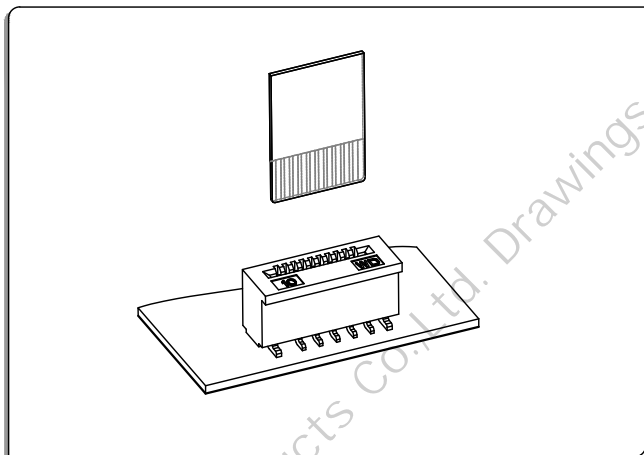


CKT	Part No	DIM A	DIM B
4	WL05403-04	1.50	2.60
5	WL05403-05	2.00	3.10
6	WL05403-06	2.50	3.60
7	WL05403-07	3.00	4.10
8	WL05403-08	3.50	4.60
9	WL05403-09	4.00	5.10
10	WL05403-10	4.50	5.60
11	WL05403-11	5.00	6.10
12	WL05403-12	5.50	6.60
13	WL05403-13	6.00	7.10
14	WL05403-14	6.50	7.60
--	-- --	--	--
60	WL05403-60	29.50	30.60

WL0540 Connector 0.5mm Pitch H4.0

FPC
0.5

WL0540 Connector 0.5mm Pitch

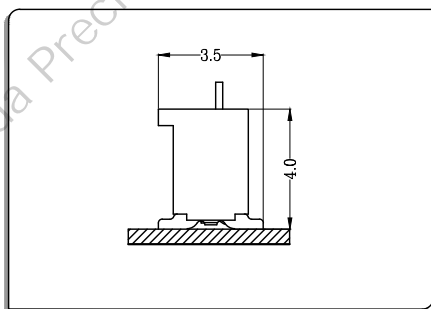


● 技术参数 SPECIFICATIONS

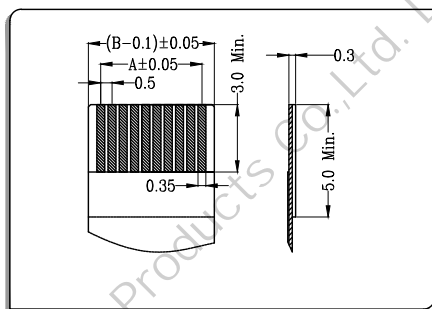
- 1、极数CKT: 4Pin to 60Pin
- 2、额定电流Current rating: 0.5A AC/DC
- 3、额定电压Voltage rating(max): 50V, AC/DC
- 4、工作温度Working Temperature: $-25^{\circ}\text{C} \sim +85^{\circ}\text{C}$,
(含通电温度上升值)
(Including temperature rise in applying electrical current)
- 5、接触电阻Contact resistance: 初始Initial value $\leq 30\text{m}\Omega$
环境测试后After environmental testing $\leq 60\text{m}\Omega$
- 6、绝缘电阻Insulation resistance: $\geq 500\text{M}\Omega$
- 7、耐电压Withstand voltage: 250VAC(rms)
- 8、适用基板厚度Applicable PC board thickness: 1.6mm to 2.0mm

● 安装尺寸 Mounting Measurement

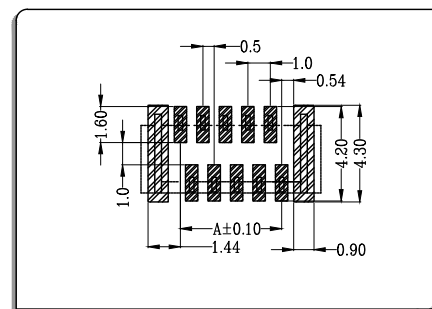
● Assembly Layout



● Applicable Flat Cable

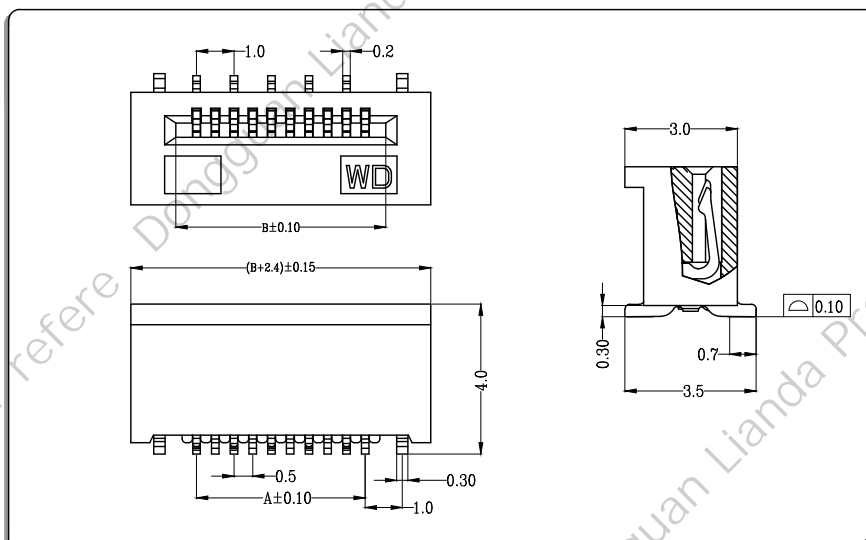


● P.C.B Layout



● 无盖立式(反脚) Non-ZIF S/T Reversed pointer

- 材料与表面处理 Material and Finish:
Housing:LCP UL94V-0 & Terminal:phosphor bronze &
Fitting:Brass; Finish:Tin-plated & Gold-plated



CKT	Part No	DIM A	DIM B
4	WL05404-04	1.50	2.60
5	WL05404-05	2.00	3.10
6	WL05404-06	2.50	3.60
7	WL05404-07	3.00	4.10
8	WL05404-08	3.50	4.60
9	WL05404-09	4.00	5.10
10	WL05404-10	4.50	5.60
11	WL05404-11	5.00	6.10
12	WL05404-12	5.50	6.60
13	WL05404-13	6.00	7.10
14	WL05404-14	6.50	7.60
--	-- --	--	--
60	WL05404-60	29.50	30.60