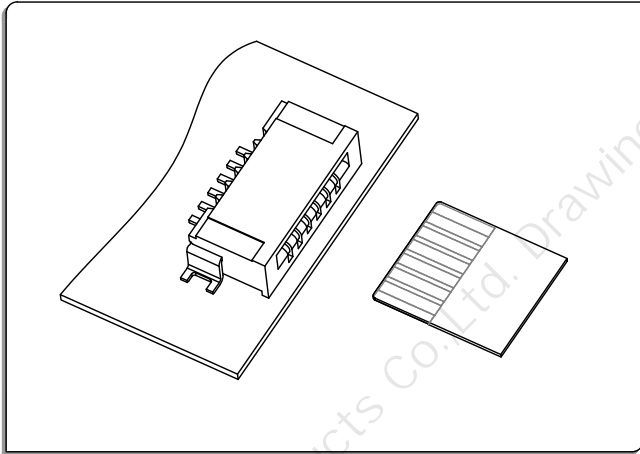


# WW1030 Connector 1.0mm Pitch H3.0

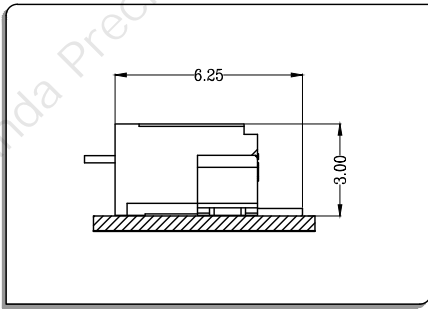


## ● 技术参数 SPECIFICATIONS

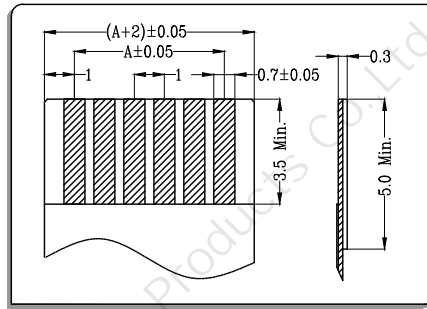
- 1、极数CKT: 3Pin to 30Pin
- 2、额定电流Current rating: 0.5A AC/DC
- 3、额定电压Voltage rating(max): 50V, AC/DC
- 4、工作温度Working Temperature: -25℃~+85℃, (含通电温度上升值)  
(Including temperature rise in applying electrical current)
- 5、接触电阻Contact resistance:value  $\leq 55\text{m}\Omega$
- 6、绝缘电阻Insulation resistance:  $\geq 500\text{M}\Omega$
- 7、耐电压Withstand voltage: 500VAC(rms)
- 8、适用基板厚度Applicable PC board thickness: 1.6mm to 2.0mm

## ● 安装尺寸 Mounting Measurement

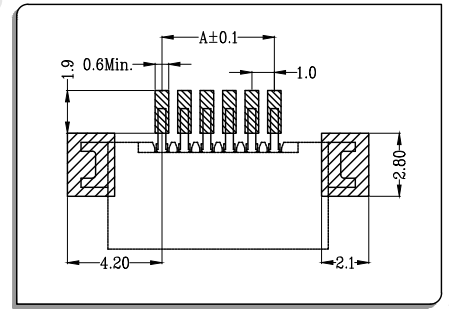
### ● Assembly Layout



### ● Applicable Flat Cable



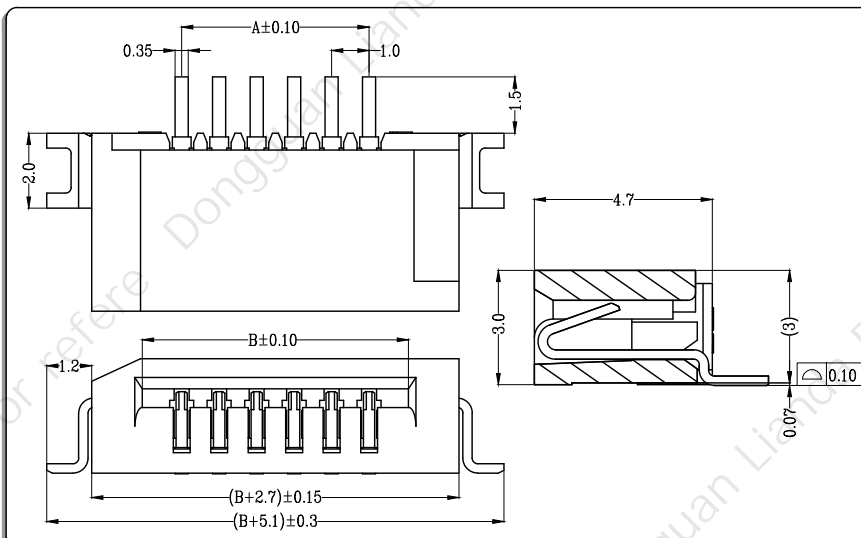
### ● P.C.B Layout



## ● 无盖卧式(下接) Non-ZIF R/A Down contact

### ● 材料与表面处理 Material and Finish:

Housing:LCP UL94V-0 & Terminal:phosphor bronze & Fitting:phosphor bronze; Finish:Tin-plated & Gold-plated



CKT	Part No	DIM A	DIM B
3	WW10302-03	2.00	4.10
4	WW10302-04	3.00	5.10
5	WW10302-05	4.00	6.10
6	WW10302-06	5.00	7.10
7	WW10302-07	6.00	8.10
8	WW10302-08	7.00	9.10
9	WW10302-09	8.00	10.10
10	WW10302-10	9.00	11.10
11	WW10302-11	10.00	12.10
12	WW10302-12	11.00	13.10
13	WW10302-13	12.00	14.10
--	-- --	--	--
30	WW10302-30	29.00	31.10