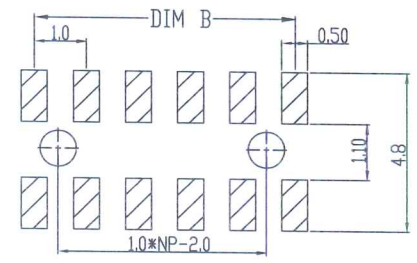
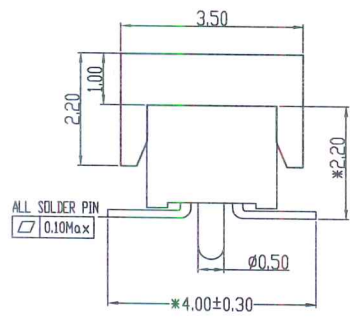
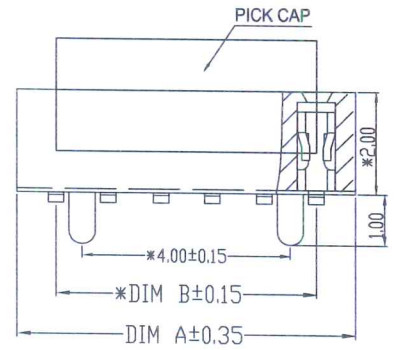
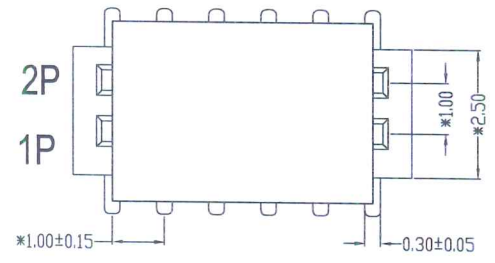


**HF** RoHS

REV	ECN NO	DESCRIPTION	DATE	NAME
A		NEW	08/30-21	FS
B	2022110301	名称U型改O型	11/10-22	LZR



PCB LAYOUT



Specifications

- 规范
- Current Rating: 0.75Amps  
额定电流: 0.75安培
  - rated voltage: 125V AC/DC  
额定电压: 125V AC/DC
  - Insulation Resistance: 1000 MΩ Min  
绝缘电阻: 1000 MΩ 最小
  - Dielectric withstanding Voltage: 500V AC  
耐电压: 500V AC
  - Contact Resistance: 30 mΩ Max  
接触电阻: 30 mΩ 最大
  - Operating Temperature: -40° C to +105° C  
工作温度: -40° C ~ +105° C
  - Contact Material: phosphor Bronze  
接触材质: 磷铜
  - Plating: Au 10U Over Ni  
电镀: 金 10U 加镍底
  - Insulation Material: PA6T, HF UL94V-0  
绝缘材料: PA6T, 无卤 UL94V-0
  - Marked "\*" symbol are major dimensions  
标有 "\*" 符号为主要尺)
  - Packing: 1200PCS/Reel;  
包装: 1200PCS/卷;

PIN	DIM	ADIM	B
2x1P	1.50		
2x2P	2.50	1.00	
2x3P	3.50	2.00	
2x4P	4.50	3.00	
2x5P	5.50	4.00	
2x6P	6.50	5.00	
2x7P	7.50	6.00	
2x8P	8.50	7.00	
2x9P	9.50	8.00	
2x10P	10.50	9.00	
2x11P	11.50	10.00	
2x12P	12.50	11.00	
2x13P	13.50	12.00	
2x14P	14.50	13.00	
2x15P	15.50	14.00	
2x16P	16.50	15.00	
2x17P	17.50	16.00	
2x18P	18.50	17.00	
2x19P	19.50	18.00	
2x20P	20.50	19.00	
2x21P	21.50	20.00	
2x22P	22.50	21.00	
2x23P	23.50	22.00	
2x24P	24.50	23.00	
2x25P	25.50	24.00	
2x26P	26.50	25.00	
2x27P	27.50	26.00	
2x28P	28.50	27.00	
2x29P	29.50	28.00	
2x30P	30.50	29.00	
2x31P	31.50	30.00	
2x32P	32.50	31.00	
2x33P	33.50	32.00	
2x34P	34.50	33.00	
2x35P	35.50	34.00	
2x36P	36.50	35.00	
2x37P	37.50	36.00	
2x38P	38.50	37.00	
2x39P	39.50	38.00	
2x40P	40.50	39.00	

Ordering Information

LFH 100 X XX X XXXX

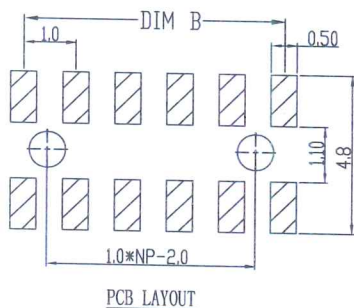
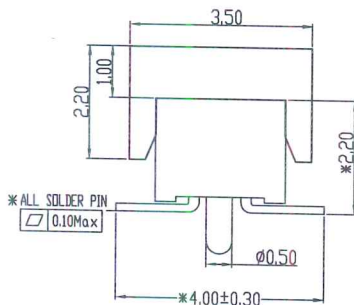
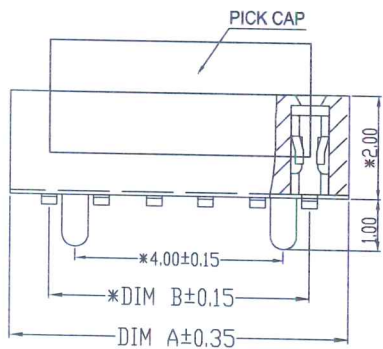
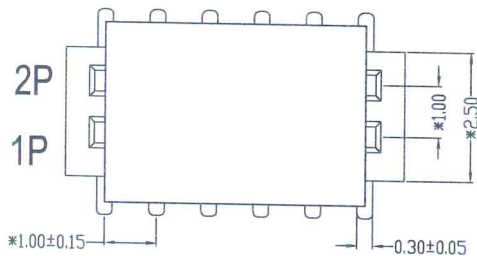
Code	Plitch	Rows	PIN Number	Packing	Serial No
FF: FEMALE HEADER 排母	100: 1.0 127: 1.27 200: 2.0 250: 2.5 254: 2.54	1: 1Row单排 2: 2Row双排 3: 3Row三排 4: 4Row四排	PIN数 1~99 (Per Row每排)	A: PE Bag 袋装 B: Tube 管装 C: Tray 盘装 D: Reel 卷装 E: Bag and Box 袋加盒 F: Other 其他	0001~9999

STANDARD TOLERANCE (EXCEPT SPECIFIED)	
LINER	ANGLES
.0 ±0.30	0.° ±3°
.00 ±0.20	.0° ±2°
.000 ±0.10	.00° ±1°

**LDCONN** 东莞市连大精密制品有限公司  
DongGuan LianDa Precision Products Co., LTD

TITLE	PH1.0X2.0 2X6P SMT排母O型, 带吸取帽, 带柱无卤	DRAWN BY	FS	03/30-22
PART NO.	LFH100206D0001	CHECKED BY	ZL	11/11-22
DRAWING NO.		APPROVED BY	ZX	11/11-22
SCALE	1:1	UNIT	mm	PAGE 1/1
				SIZE A4

HF RoHS



REV	ECN NO	DESCRIPTION	DATE	NAME
A		NEW	08/30-'21	FS
B	2022110301	名称U型改O型	11/10-'22	LZR

Specifications

规范

- Current Rating: 0.75Amps  
额定电流: 0.75安培
- rated voltage: 125V AC/DC  
额定电压: 125V AC/DC
- Insulation Resistance: 1000 MΩ Min  
绝缘电阻: 1000 MΩ 最小
- Dielectric withstanding Voltage: 500V AC  
耐电压: 500V AC
- Contact Resistance: 30 mΩ Max  
接触电阻: 30 mΩ 最大
- Operating Temperature: -40° C to +105° C  
工作温度: -40° C ~ +105° C
- Contact Material: phosphor Bronze  
接触材质: 磷铜
- Plating: Au G/F Over Ni  
电镀: 金 G/F 加镍底
- Insulation Material: PA6T, HF UL94V-0  
Drain cap Material: LCP UL94V-0  
绝缘材料: PA6T, 无卤 UL94V-0  
吸取帽材料: LCP UL94V-0
- Marked "\*" symbol are major dimensions  
标有 "\*" 符号为主要尺寸
- Packing: 1200PCS/Reel;  
包装: 1200PCS/卷;

PIN	DIM A	DIM B
2x1P	1.50	1.00
2x2P	2.50	1.00
2x3P	3.50	2.00
2x4P	4.50	3.00
2x5P	5.50	4.00
2x6P	6.50	5.00
2x7P	7.50	6.00
2x8P	8.50	7.00
2x9P	9.50	8.00
2x10P	10.50	9.00
2x11P	11.50	10.00
2x12P	12.50	11.00
2x13P	13.50	12.00
2x14P	14.50	13.00
2x15P	15.50	14.00
2x16P	16.50	15.00
2x17P	17.50	16.00
2x18P	18.50	17.00
2x19P	19.50	18.00
2x20P	20.50	19.00
2x21P	21.50	20.00
2x22P	22.50	21.00
2x23P	23.50	22.00
2x24P	24.50	23.00
2x25P	25.50	24.00
2x26P	26.50	25.00
2x27P	27.50	26.00
2x28P	28.50	27.00
2x29P	29.50	28.00
2x30P	30.50	29.00
2x31P	31.50	30.00
2x32P	32.50	31.00
2x33P	33.50	32.00
2x34P	34.50	33.00
2x35P	35.50	34.00
2x36P	36.50	35.00
2x37P	37.50	36.00
2x38P	38.50	37.00
2x39P	39.50	38.00
2x40P	40.50	39.00

Ordering Information

LFH 100 X XX X XXXX

Code	Pitch	Rows	PIN Number	Packing	Serial No
FH: FEMALE HEADER 排母	100: 1.0 127: 1.27 200: 2.0 250: 2.5 254: 2.54	1: 1Row单排 2: 2Row双排 3: 3Row三排 4: 4Row四排	1~99 (Per Row每排)	A: PE Bag 袋装 B: Tube 管装 C: Tray 盘装 D: Reel 卷装 E: Bag and Box 袋加盒 F: Other 其他	0001~9999



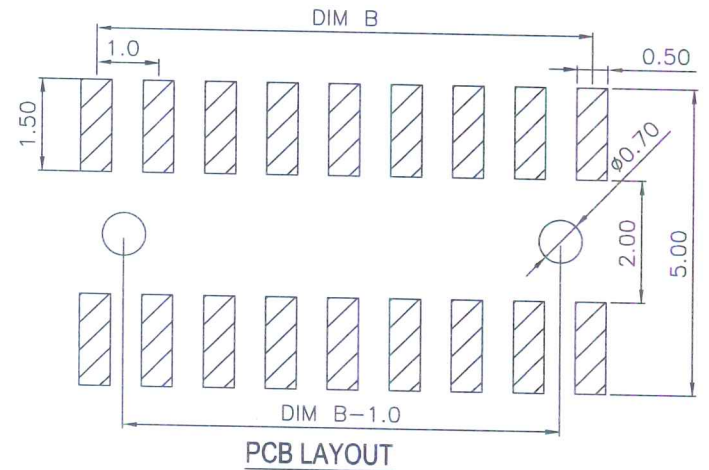
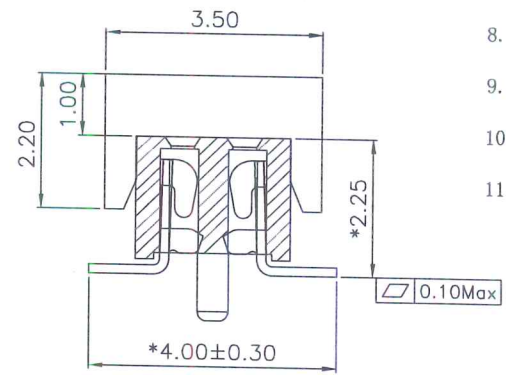
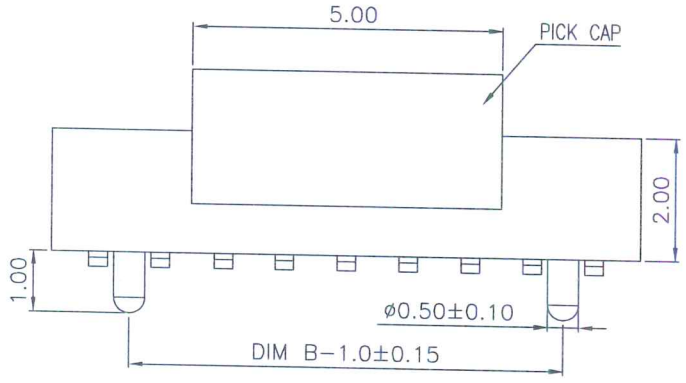
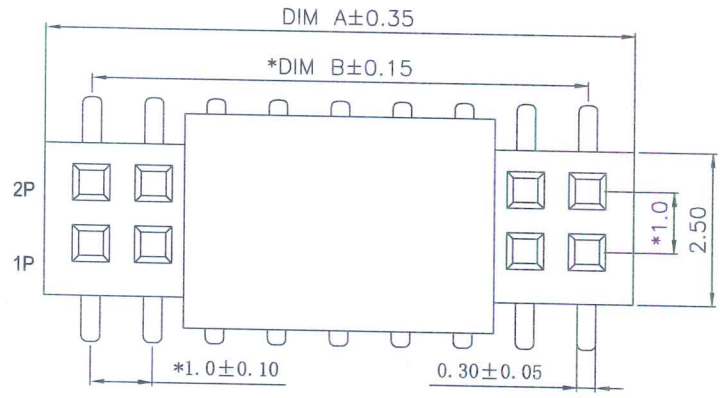
**LDCONN 东莞连大精密制品有限公司**  
DongGuan LianDa Precision Products Co., LTD

STANDARD TOLERANCE (EXCEPT SPECIFIED)	
LINER	ANGLES
.0 ±0.30	0.° ±3°
.00 ±0.20	.0° ±2°
.000 ±0.10	.00° ±1°

TITLE	PH1.0X2.0 2X6P SMT排母O型 带吸取帽,带柱无卤	DRAWN BY	FS	03/30-'22
PART NO.	LFH100206D0002	CHECKED BY	ZL	11/11-'22
DRAWING NO.		APPROVED BY	ZX	11/11-'22
SCALE	1:1	UNIT	mm	PAGE 1/1
				SIZE A4

**HSF RoHS**

REV	ECN NO	DESCRIPTION	DATE	NAME
A	---	NEW	08/18-'22	Steven
B	2022110301	名称U型改O型	11/10-'22	LZR

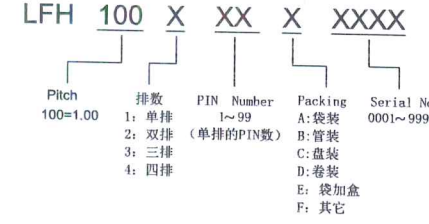


**Specifications**

- 规范
- Current Rating: 0.75Amps  
额定电流: 0.75安培
  - rated voltage: 125V AC/DC  
额定电压: 125V AC/DC
  - Insulation Resistance: 1000 MΩ Min  
绝缘电阻: 1000 MΩ 最小
  - Dielectric withstanding Voltage: 500V AC  
耐电压: 500V AC
  - Contact Resistance: 30 mΩ Max  
接触电阻: 30 mΩ 最大
  - Operating Temperature: -40° C to +105° C  
工作温度: -40° C ~ +105° C
  - Contact Material: phosphor Bronze  
接触材质: 磷铜
  - Plating: Au G/F Over Ni  
电镀: 金 G/F 加镍底
  - Plastic body: PA9T, UL94V-0; CAP: LCP  
塑胶主体: PA9T, UL94V-0; 吸取帽: LCP
  - Marked "\*" symbol are major dimensions  
标有 "\*" 符号为主要尺)
  - Packing: Reel;  
包装: 卷装;

PIN	DIM A	DIM B
2x1P	1.50	1.00
2x2P	2.50	1.00
2x3P	3.50	2.00
2x4P	4.50	3.00
2x5P	5.50	4.00
2x6P	6.50	5.00
2x7P	7.50	6.00
2x8P	8.50	7.00
2x9P	9.50	8.00
2x10P	10.50	9.00
2x11P	11.50	10.00
2x12P	12.50	11.00
2x13P	13.50	12.00
2x14P	14.50	13.00
2x15P	15.50	14.00
2x16P	16.50	15.00
2x17P	17.50	16.00
2x18P	18.50	17.00
2x19P	19.50	18.00
2x20P	20.50	19.00
2x21P	21.50	20.00
2x22P	22.50	21.00
2x23P	23.50	22.00
2x24P	24.50	23.00
2x25P	25.50	24.00
2x26P	26.50	25.00
2x27P	27.50	26.00
2x28P	28.50	27.00
2x29P	29.50	28.00
2x30P	30.50	29.00
2x31P	31.50	30.00
2x32P	32.50	31.00
2x33P	33.50	32.00
2x34P	34.50	33.00
2x35P	35.50	34.00
2x36P	36.50	35.00
2x37P	37.50	36.00
2x38P	38.50	37.00
2x39P	39.50	38.00
2x40P	40.50	39.00

**Ordering Information**

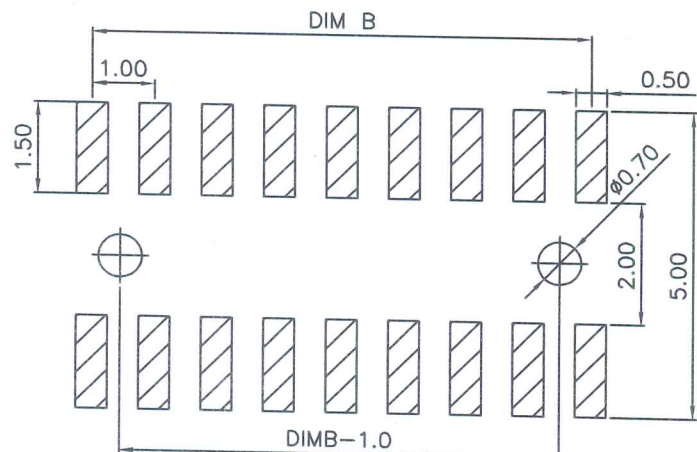
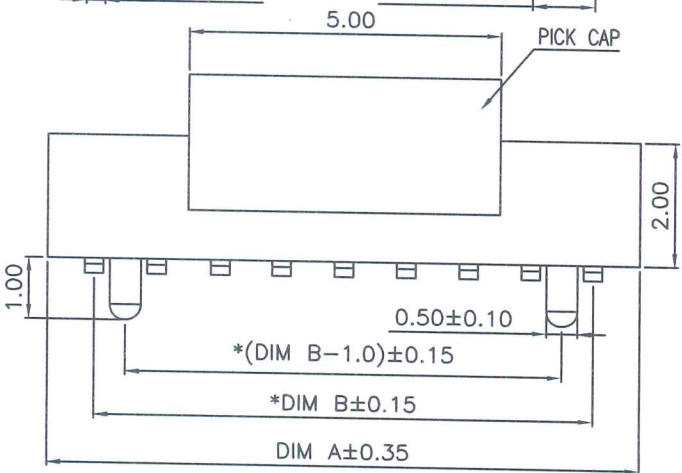
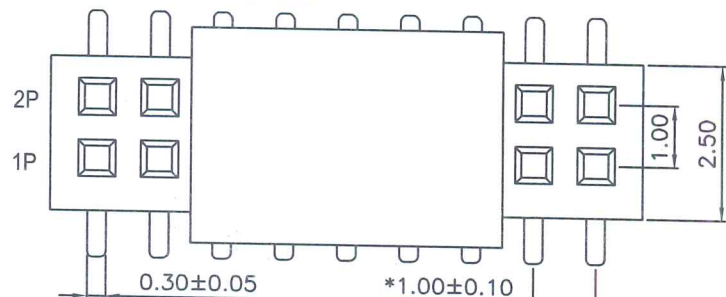


**LDCONN 东莞连大精密制品有限公司**  
 连大 DongGuan LianDa Precision Products Co., LTD

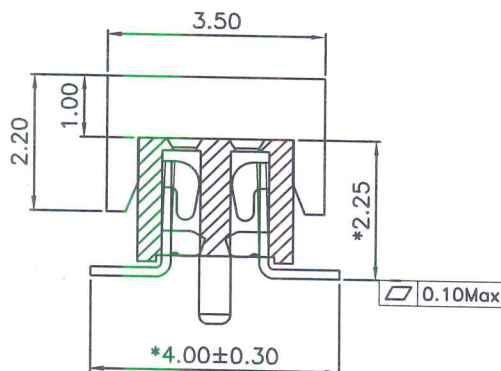
STANDARD TOLERANCE (EXCEPT SPECIFIED)	
LINER	ANGLES
.0 ±0.30	0° ±3°
.00 ±0.20	.0° ±2°
.000 ±0.10	.00° ±1°

TITLE	PH1.0x2.0 2x7P SMT双排排母 O型带定位柱, 吸取帽	DRAWN BY	Steven	08/18-'22
PART NO.	LFH100207D0001	CHECKED BY	ZL	11/11-22
DRAWING NO.	---	APPROVED BY	ZX	11/11-22
SCALE	1:1	UNIT	mm	PAGE 1/1
				SIZE A4

HSF RoHS



PCB LAYOUT



REV	ECN NO	DESCRIPTION	DATE	NAME
A		NEW	08/23-'22	KJL

Specifications

- 规范
- Current Rating: 0.75Amps  
额定电流:0.75安培
  - rated voltage: 125V AC/DC  
额定电压:125V AC/DC
  - Insulation Resistance: 1000 MΩ Min  
绝缘电阻:1000 MΩ最小
  - Dielectric withstanding Voltage: 500V AC  
耐电压:500V AC
  - Contact Resistance: 30 mΩ Max  
接触电阻:30 mΩ最大
  - Operating Temperature: -40°C to +105°C  
工作温度:-40°C ~ +105°C
  - Contact Material: phosphor Bronze  
接触材质:磷铜
  - Plating: Au G/F Over Ni  
电镀:金 G/F 加镍底
  - Insulation Material: PA6T, UL94V-0, Black  
绝缘材料:PA6T, UL94V-0, 黑色
  - Marked "\*" symbol are major dimensions  
标有"\*"符号为主要尺寸
  - Packing: 2000PCS/ Reel  
包装: 2000PCS/卷

PIN	DIM A	DIM B
2x1P	1.50	
2x2P	2.50	1.00
2x3P	3.50	2.00
2x4P	4.50	3.00
2x5P	5.50	4.00
2x6P	6.50	5.00
2x7P	7.50	6.00
2x8P	8.50	7.00
2x9P	9.50	8.00
2x10P	10.50	9.00
2x11P	11.50	10.00
2x12P	12.50	11.00
2x13P	13.50	12.00
2x14P	14.50	13.00
2x15P	15.50	14.00
2x16P	16.50	15.00
2x17P	17.50	16.00
2x18P	18.50	17.00
2x19P	19.50	18.00
2x20P	20.50	19.00
2x21P	21.50	20.00
2x22P	22.50	21.00
2x23P	23.50	22.00
2x24P	24.50	23.00
2x25P	25.50	24.00
2x26P	26.50	25.00
2x27P	27.50	26.00
2x28P	28.50	27.00
2x29P	29.50	28.00
2x30P	30.50	29.00
2x31P	31.50	30.00
2x32P	32.50	31.00
2x33P	33.50	32.00
2x34P	34.50	33.00
2x35P	35.50	34.00
2x36P	36.50	35.00
2x37P	37.50	36.00
2x38P	38.50	37.00
2x39P	39.50	38.00
2x40P	40.50	39.00

Ordering Information

LFH 100 X XX X XXXX

Code	Pitch	Rows	PIN Number	Packing	Serial No
PH: PIN HEADER 排针	100: 1.0	1: 1Row单排	PIN数	A: PE Bag 袋装	0001~9999
FH: FEMALE HEADER 排母	127: 1.27	2: 2Row双排	1~99	B: Tube 管装	
BH: EJECTOR HEADER 筒牛	200: 2.0	3: 3Row三排	(Per Row每排)	C: Tray 盘装	
EH: BOX HEADER 牛角	250: 2.5	4: 4Row四排		D: Reel 卷装	
	254: 2.54			E: Bag and Box 袋加盒	
				F: Other其他	

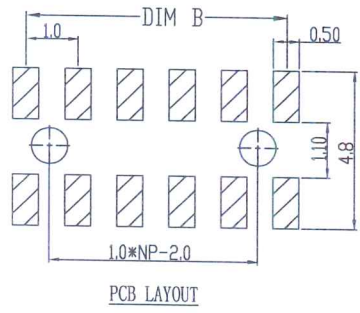
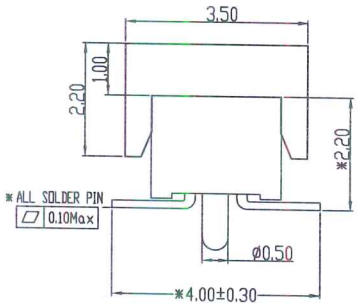
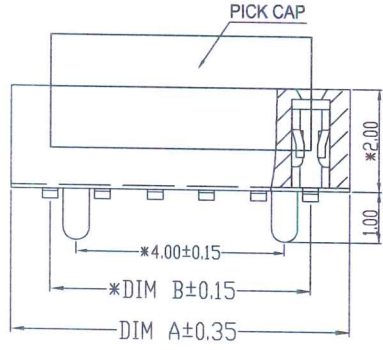
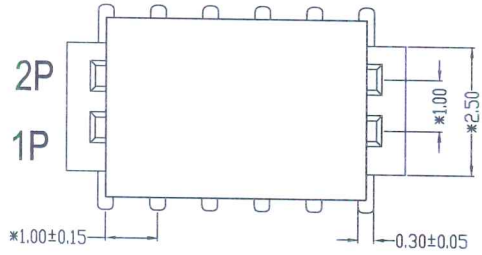
**LDCONN 东莞连大精密制品有限公司**  
DongGuan LianDa Precision Products Co., LTD

TITLE	PH1.0x2.0 2x10P SMT排母0型 带定位柱, 吸取帽	DRAWN BY	KJL	08/23-'22
PART NO.	LFH100210D0001	CHECKED BY	ZL	9/24-'22
DRAWING NO.		APPROVED BY	ZX	9/24-'22
SCALE	1:1	UNIT	mm	PAGE 1/1
				SIZE A4

STANDARD TOLERANCE (EXCEPT SPECIFIED)	
LINER	ANGLES
.0 ±0.30	0.° ±3°
.00 ±0.20	.0° ±2°
.000 ±0.10	.00° ±1°

**HF RoHS**

REV	ECN NO	DESCRIPTION	DATE	NAME
A		NEW	08/30-'21	FS
B	2022110301	名称U型改O型	11/10-'22	LZR

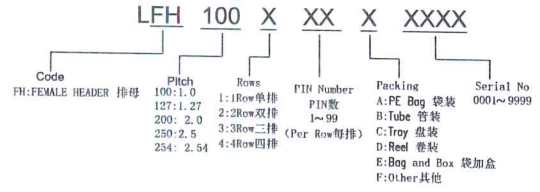


**Specifications**

- 规范**
- Current Rating: 0.75Amps  
额定电流:0.75安培
  - rated voltage: 125V AC/DC  
额定电压:125V AC/DC
  - Insulation Resistance: 1000 MΩ Min  
绝缘电阻:1000 MΩ 最小
  - Dielectric withstanding Voltage: 500V AC  
耐电压:500V AC
  - Contact Resistance: 30 mΩ Max  
接触电阻:30 mΩ 最大
  - Operating Temperature: -40° C to+105° C  
工作温度:-40° C ~ +105° C
  - Contact Material: phosphor Bronze  
接触材质:磷铜
  - Plating: Au G/F Over Ni  
电镀:金 G/F 加镍底
  - Insulation Material: PA6T, HF UL94V-0  
Drain cap Material: LCP UL94V-0  
绝缘材料:PA6T, 无卤 UL94V-0  
吸取帽材料:LCP UL94V-0
  - Marked "\*" symbol are major dimensions  
标有 "\*" 符号为主要尺)
  - Packing: 1500PCS/Reel;  
包装: 1500PCS/卷;

PIN	DIM A	DIM B
2x1P	1.50	
2x2P	2.50	1.00
2x3P	3.50	2.00
2x4P	4.50	3.00
2x5P	5.50	4.00
2x6P	6.50	5.00
2x7P	7.50	6.00
2x8P	8.50	7.00
2x9P	9.50	8.00
2x10P	10.50	9.00
2x11P	11.50	10.00
2x12P	12.50	11.00
2x13P	13.50	12.00
2x14P	14.50	13.00
2x15P	15.50	14.00
2x16P	16.50	15.00
2x17P	17.50	16.00
2x18P	18.50	17.00
2x19P	19.50	18.00
2x20P	20.50	19.00
2x21P	21.50	20.00
2x22P	22.50	21.00
2x23P	23.50	22.00
2x24P	24.50	23.00
2x25P	25.50	24.00
2x26P	26.50	25.00
2x27P	27.50	26.00
2x28P	28.50	27.00
2x29P	29.50	28.00
2x30P	30.50	29.00
2x31P	31.50	30.00
2x32P	32.50	31.00
2x33P	33.50	32.00
2x34P	34.50	33.00
2x35P	35.50	34.00
2x36P	36.50	35.00
2x37P	37.50	36.00
2x38P	38.50	37.00
2x39P	39.50	38.00
2x40P	40.50	39.00

**Ordering Information**



**LDCONN 东莞连大精密制品有限公司**  
DongGuan LianDa Precision Products Co., LTD

STANDARD TOLERANCE (EXCEPT SPECIFIED)	
LINER	ANGLES
.0 ±0.30	0.° ±3°
.00 ±0.20	.0° ±2°
.000 ±0.10	.00° ±1°

TITLE	PH1.0X2.0 2X20P SMT排母O型 带吸取帽, 带柱无卤	DRAWN BY	FS	03/30-'22
PART NO.	LFH100220D0001	CHECKED BY	ZL	11/11-'22
DRAWING NO.		APPROVED BY	ZX	11/11-'22
SCALE	1:1	UNIT	mm	PAGE 1/1
				SIZE A4