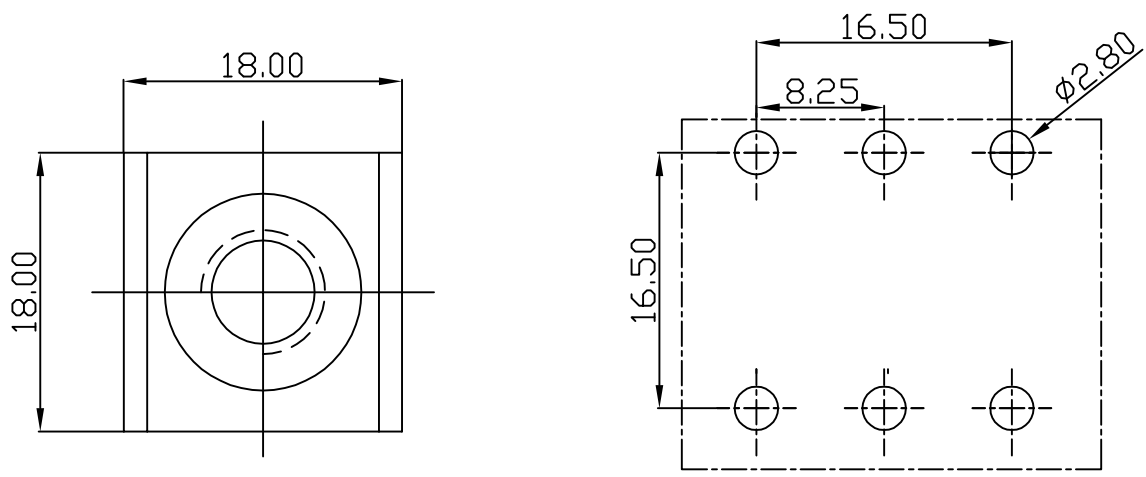


HSF RoHS

REV	ECN NO	DESCRIPTION	DATE	NAME
A	—	NEW	06/18-'24	KJL



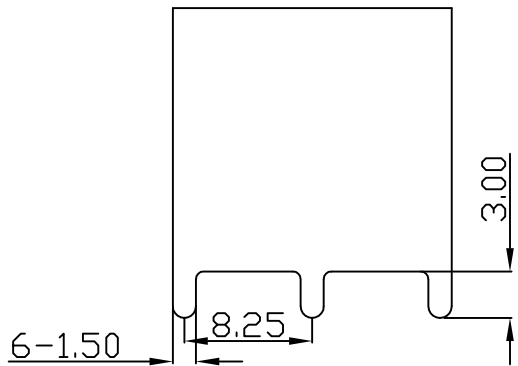
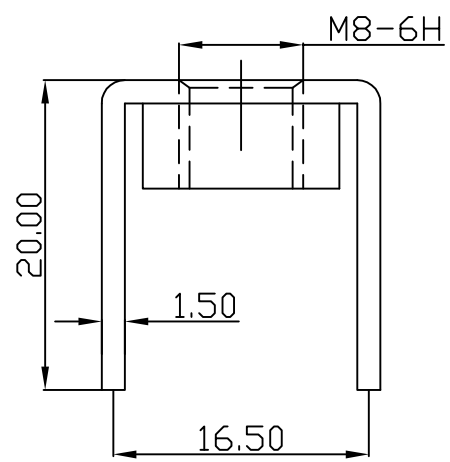
PCB. LAYOUT

材料要求:

1. 插脚: 黄铜
2. 螺母: 碳钢

技术要求:

1. 电镀规格: 打铜底0.5~1um, 镍1~3um, 雾锡3~5um
2. 螺纹扭矩Torque: 24bf·in, 螺纹符合通止规要求;
3. 盐雾要求: 24小时
4. 额定电流: 100A



Ordering Information

LQT X XX X XXXX

Code	PIN Number	Packing	Serial No
M: MALE F: FEMALE (不适用时0表示)	1~99 (总PIN数)	A: PE Bag 袋装 B: Tube 管装 C: Tray 盘装 D: Reel 卷装 E: Bag and Box 袋加盒 F: Other 其他	0001~9999

LDCONN 东莞连大精密制品有限公司
 连大 DongGuan LianDa Precision Products Co., LTD

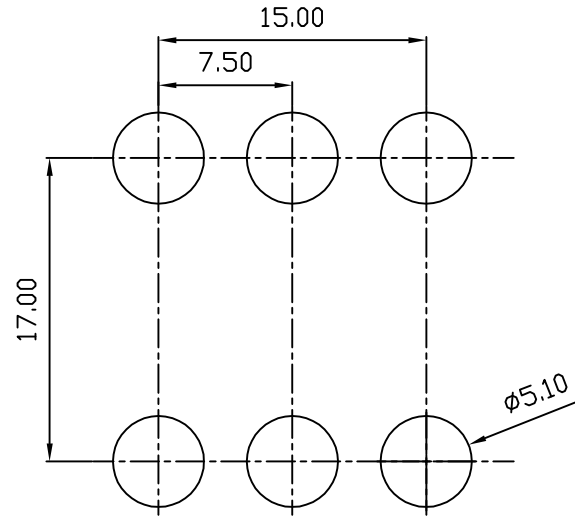
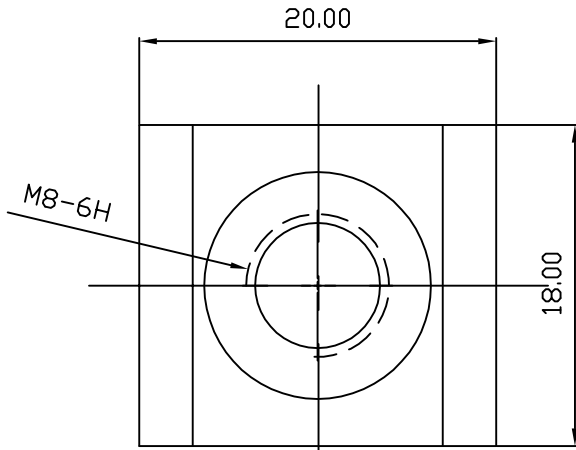
TITLE	抽牙直插脚 (M8螺牙) H=20mm	DRAWN BY	KJL	06/18-'24
PART NO.	LQT006A0002	CHECKED BY		
DRAWING NO.		APPROVED BY		

>120	±0.50		
>30~120	±0.30		
>6~30	±0.20		
0~6	±0.10	ANGLE	±1°

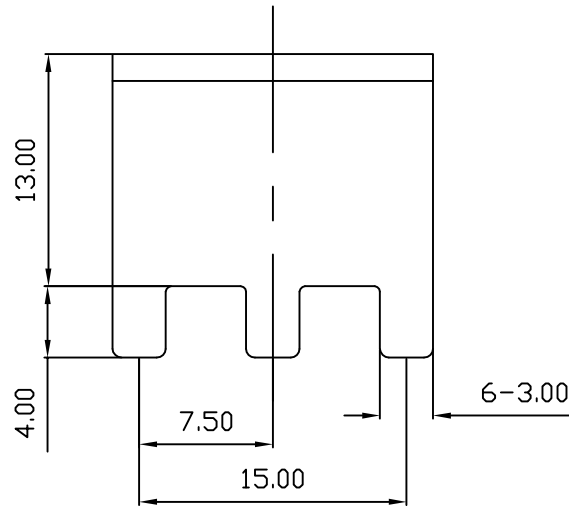
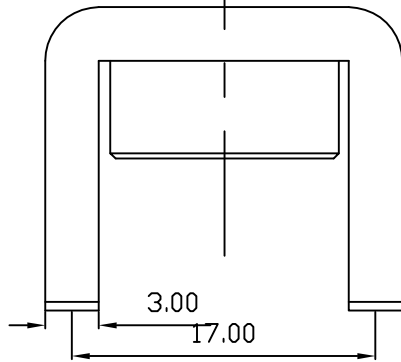
SCALE	1:1	UNIT	mm		PAGE	1/1	SIZE	A4
-------	-----	------	----	--	------	-----	------	----

HSF RoHS

REV	ECN NO	DESCRIPTION	DATE	NAME
A	—	NEW	06/18'24	KJL



PECOMMENDED PCB LAYOUT



材料要求:

1. 插脚: H62
2. 螺母: STEEL

技术要求:

1. 电镀规格: 打铜底0.5~1um, 镍1~3um, 雾锡3~5um, 螺丝镀蓝锌3~5um
2. 螺纹扭矩Torque: 66lbf·in, 螺纹符合通止规要求
3. 盐雾要求: 24小时
4. 额定电流: 200A

Ordering Information

LQT X XX X XXXX

Code	PIN Number	Packing	Serial No
M: MALE F: FEMALE (不适用时0表示)	1~99 (总PIN数)	A: PE Bag 袋装 B: Tube 管装 C: Tray 盘装 D: Reel 卷装 E: Bag and Box 袋加盒 F: Other 其他	0001~9999

LD CONN 东莞连大精密制品有限公司
DongGuan LianDa Precision Products Co., LTD

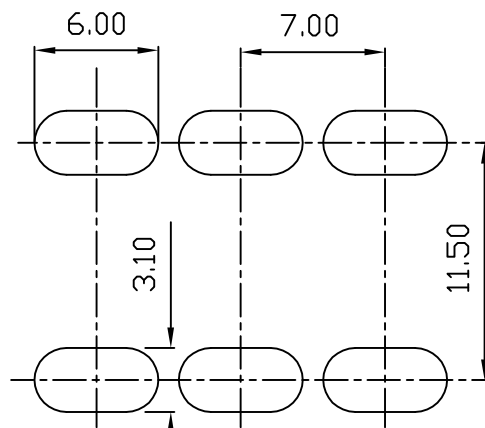
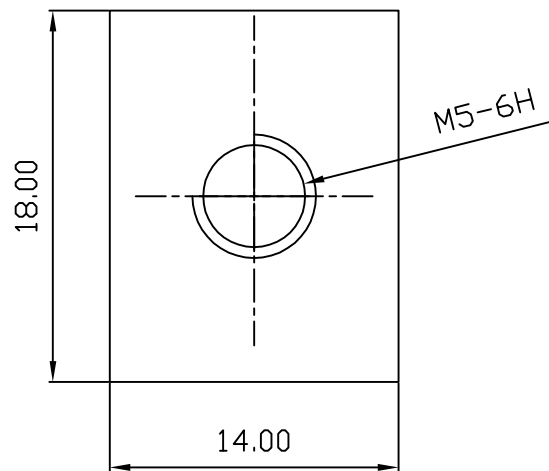
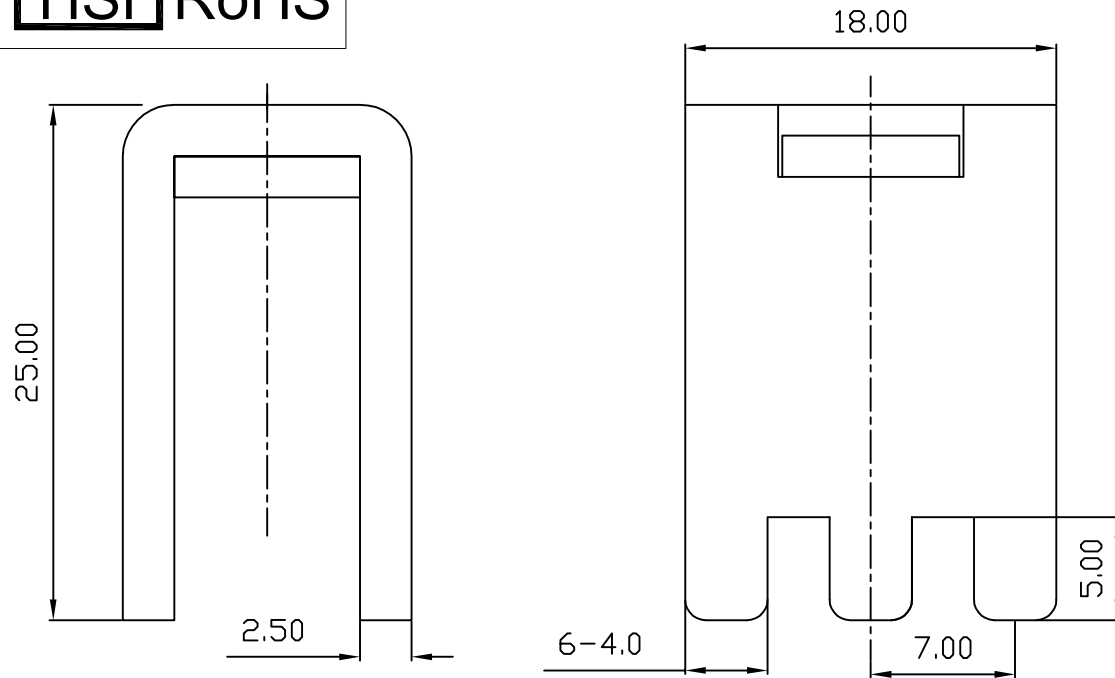
TITLE	铆螺母直插脚 (M8螺牙) H=17mm	DRAWN BY	KJL	06/18'24
PART NO.	LQT006A0003	CHECKED BY		
DRAWING NO.	—	APPROVED BY		

>120	±0.50		
>30~120	±0.30		
>6~30	±0.20		
0~6	±0.10	ANGLE	±1°

SCALE	1:1	UNIT	mm		PAGE	1/1	SIZE	A4
-------	-----	------	----	--	------	-----	------	----

HSF RoHS

REV	ECN NO	DESCRIPTION	DATE	NAME
A	—	NEW	06/18'24	KJL



PCB LAYOUT

材料要求:

- 1.插脚: 紫铜T2
- 2.垫片: SPCC

技术要求:

- 1.电镀规格: 插脚打铜底0.5~1um, 镍1~3um, 雾锡3~5um,
- 2.螺纹扭矩Torque: 24lbf·in, 螺纹符合通止规要求;
- 3.使用温度: -40℃到+125℃;
- 4.额定电流: 160A

Ordering Information

LQT X XX X XXXX

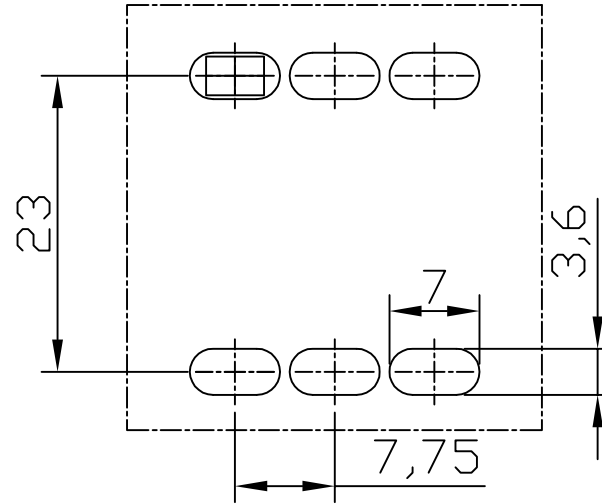
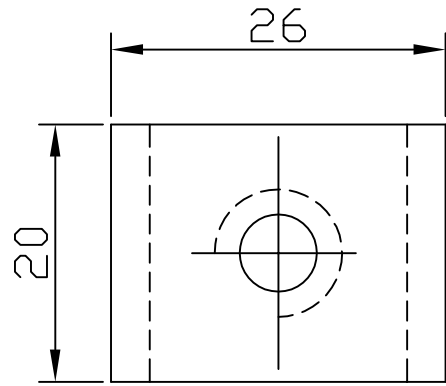
Code	PIN Number	Packing	Serial No
M:MALE F:FEMALE (不适用时0表示)	1~99 (总PIN数)	A:PE Bag 袋装 B:Tube 管装 C:Tray 盘装 D:Reel 卷装 E:Bag and Box 袋加盒 F:Other其他	0001~9999

LDCONN 东莞连大精密制品有限公司
DongGuan LianDa Precision Products Co., LTD

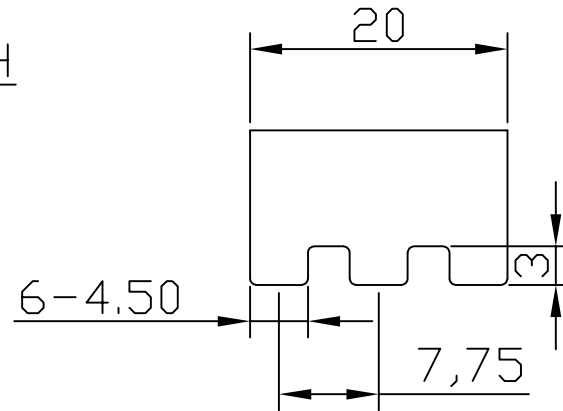
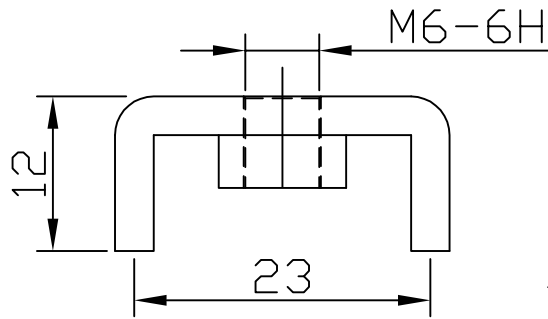
TITLE	柳垫片直插脚 (M5螺牙) H=6mm	DRAWN BY	KJL	06/18'24
PART NO.	LQT006A0004	CHECKED BY		
DRAWING NO.		APPROVED BY		
SCALE	1:1	UNIT	mm	PAGE 1/1
				SIZE A4

>120	±0.50		
>30~120	±0.30		
>6~30	±0.20		
0~6	±0.10	ANGLE	±1°

REV	ECN NO	DESCRIPTION	DATE	NAME
A	—	NEW	06/18-'24	KJL



PCB. LAYOUT



材料要求:

1. 插脚: C1100紫铜

技术要求:

1. 电镀规格: 打镍底1~3um, 雾锡3~5um
2. 螺纹扭矩Torque: 3N. m, 螺纹符合通止规要求;
3. 盐雾要求: 48小时;
4. 额定电流: 300A

Ordering Information

LQT X XX X XXXX

Code	PIN Number	Packing	Serial No
M: MALE F: FEMALE (不适用时0表示)	1~99 (总PIN数)	A: PE Bag 袋装 B: Tube 管装 C: Tray 盘装 D: Reel 卷装 E: Bag and Box 袋加盒 F: Other 其他	0001~9999

LD CONN 东莞连大精密制品有限公司
 连大 DongGuan LianDa Precision Products Co., LTD

TITLE	抽牙直插脚(M4螺牙)H=12mm	DRAWN BY	KJL	06/18-'24
PART NO.	LQT006A0005	CHECKED BY		
DRAWING NO.		APPROVED BY		
SCALE	1:1	UNIT	mm	PAGE 1/1
				SIZE A4

>120	±0.50		
>30~120	±0.30		
>6~30	±0.20		
0~6	±0.10	ANGLE	±1°